

# HOGGI<sup>®</sup>



## SWINGBO Plus

**System - wheelchair for kids & adolescents**

**Spare parts catalogue** (GB)

**HOGGI<sup>®</sup>** - *Partnering together to mobilise kids*

When ordering spare parts, please always indicate the following basic data to ensure smooth delivery:

**1) Serial number of the product**

**2) Seat width**

**3) Frame colour**

Article numbers which have (-xxx) at the end must be completed with a code number for the frame color.

<b>Frame colours</b>	<b>Colour code</b>
Flamed	(-018)
Grey aluminium	(-021)
White	(-022)

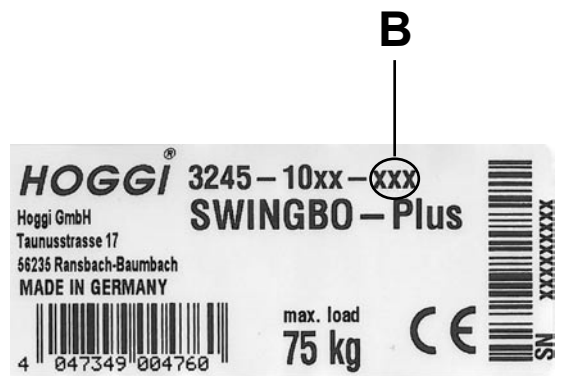
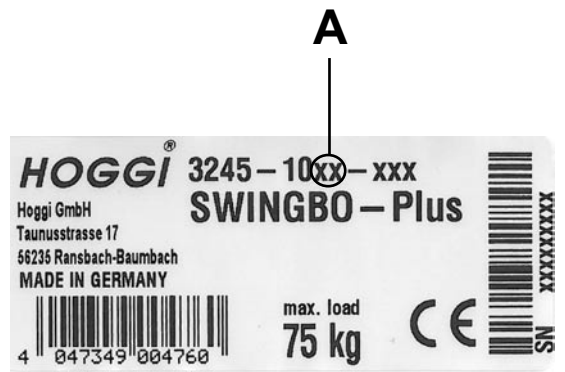
<b>Upholstery colours</b>	<b>Colour code</b>
Black / check	(-306)

<b>Accessories</b>	<b>Colour code</b>
Silver	(-002)

Index	Page
Model identification _____	3
Index _____	4
Component group overview _____	6
Spare parts _____	10 - 31
Spare parts for accessories _____	32 - 38

# Modell identification

## Label



**A** = Seat width (SW)

**B** = Frame colour

**C** = Serial number

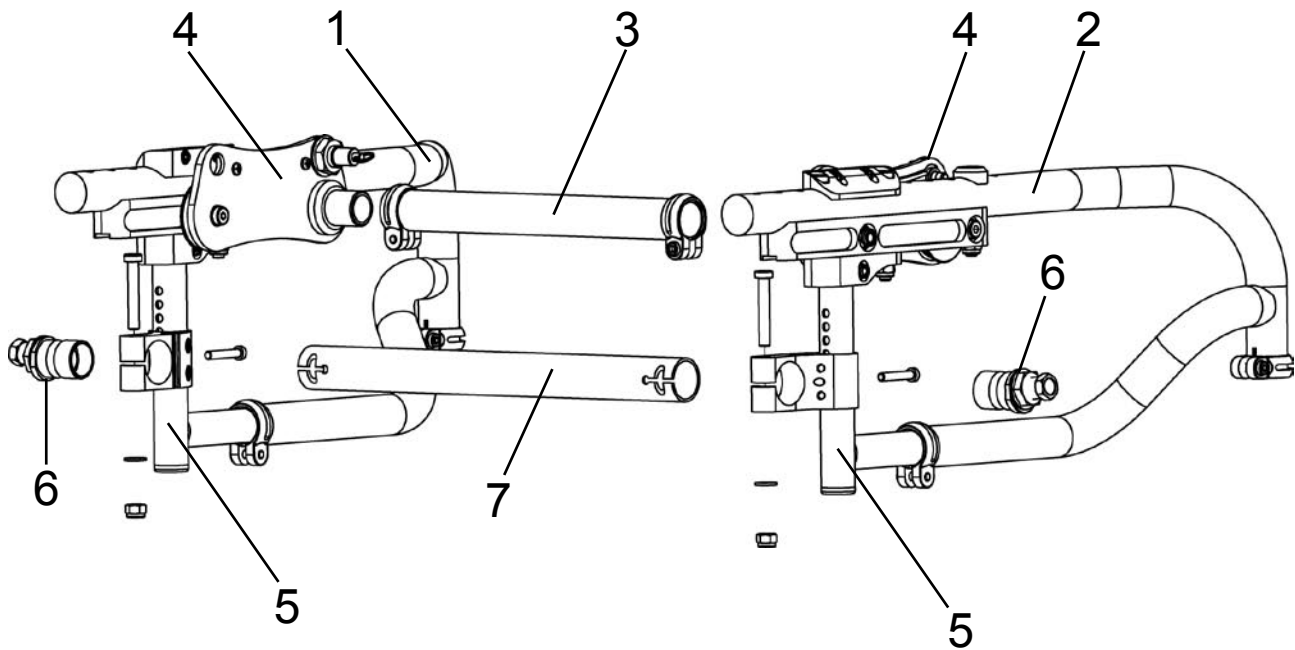
# Index

Component group	Page
<b>Component group overview</b> .....	<b>6</b>
<b>Frame, left</b> .....	<b>8</b>
<b>Frame, right</b> .....	<b>8</b>
<b>Cross tube, axis tube, adapter housing 3°/6°/9°</b> .....	<b>9</b>
<b>Bearing seat adapter</b> .....	<b>10</b>
<b>Axis adapter</b> .....	<b>11</b>
<b>Bracket for fender</b> .....	<b>12</b>
<b>Seat adapter</b> .....	<b>13</b>
<b>Seat frame</b> .....	<b>14</b>
<b>Push-handle, detachable</b> .....	<b>15</b>
<b>Push-bar, detachable</b> .....	<b>16</b>
<b>Push-handle adapter</b> .....	<b>17</b>
<b>Push handle, foldable</b> .....	<b>18</b>
<b>Push-bar adapter</b> .....	<b>19/21</b>
<b>Push bar, foldable</b> .....	<b>20</b>
<b>Cross bail</b> .....	<b>18/20</b>
<b>Tilt adjustment mechanism</b> .....	<b>22</b>
<b>Castor fork bracket</b> .....	<b>23</b>
<b>Castor forks</b> .....	<b>24</b>
<b>Fender</b> .....	<b>25</b>
<b>Wheel lock lever integrated in fender</b> .....	<b>26</b>
<b>Brake lever</b> .....	<b>27</b>
<b>Brake cable</b> .....	<b>28</b>

Baugruppen oder Zubehör	Page
<b>Brake</b> .....	<b>29</b>
<b>Front wheels</b> .....	<b>30</b>
<b>Rear wheels</b> .....	<b>31</b>
<b>Push rims</b> .....	<b>35</b>
<b>Seat pan</b> .....	<b>36</b>
<b>Backrest base</b> .....	<b>37</b>
<b>Cross brace</b> .....	<b>38</b>
<b>Backrest base</b> .....	<b>39</b>
<b>Rücken panel</b> .....	<b>40</b>
<b>Backrest (trough shaped and height adjustable)</b> .....	<b>41</b>
<b>Foot rest hanger 90°</b> .....	<b>42</b>
<b>Foot rest hanger, angle adjustable</b> .....	<b>43</b>
<b>Foot rest bracket angle adjustable, flip up type</b> .....	<b>44</b>
<b>Foot rest bracket angle adjustable, flip up type, lockable</b> .....	<b>45</b>
<b>Footrests</b> .....	<b>46</b>
<b>Upholstery</b> .....	<b>47</b>
<b>Anti-tip</b> .....	<b>48</b>
<b>Tip assist</b> .....	<b>49</b>
<b>Head support, standard</b> .....	<b>50</b>
<b>Head support, universal</b> .....	<b>51</b>
<b>Armrests</b> .....	<b>52</b>
<b>Therapy tray</b> .....	<b>53</b>
<b>Clamping unit</b> .....	<b>54</b>

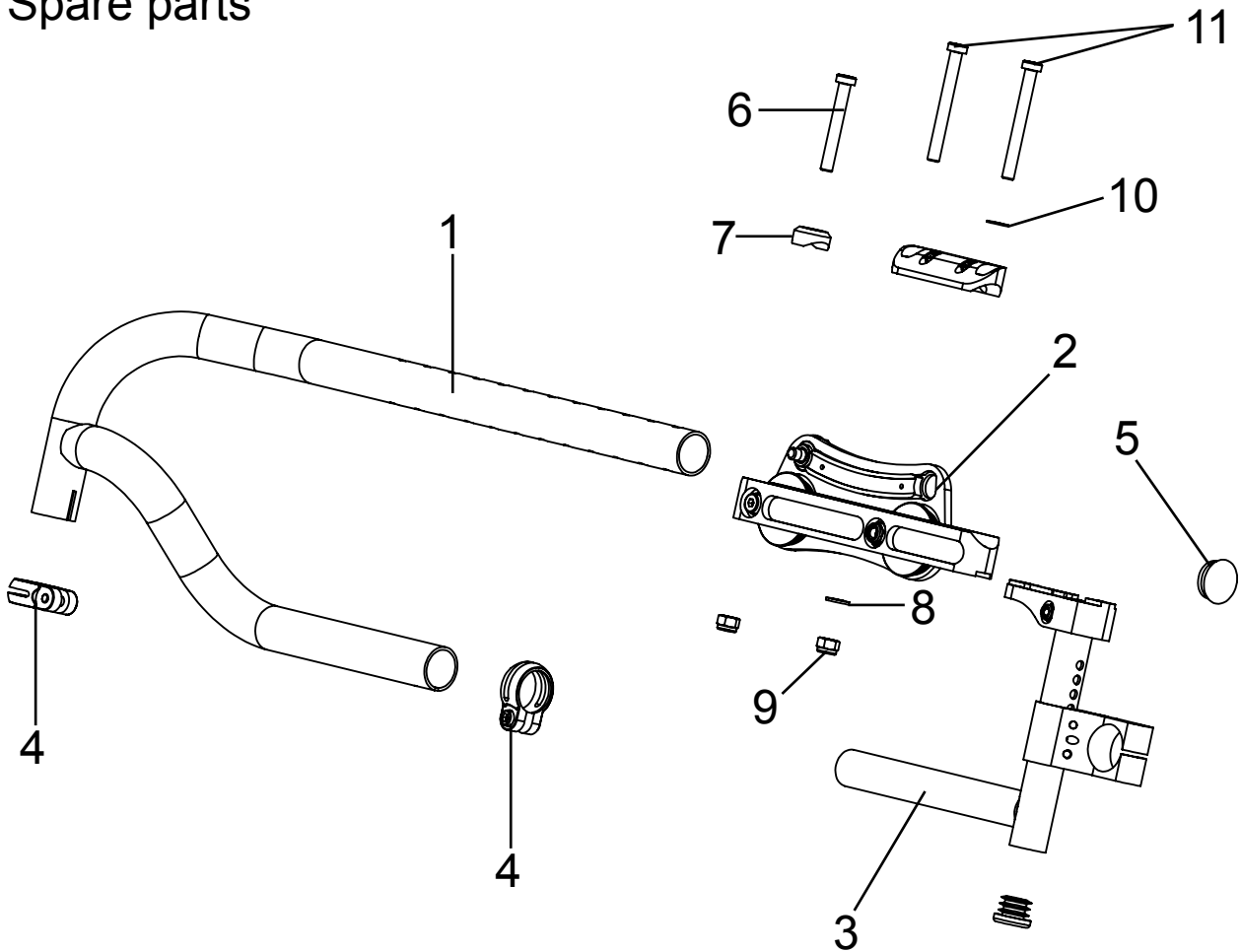


Pos	Article number	Component group	Page
1	3245-10SB	Frame	8
2	3245-151x	Seat adaptor	13
3	3245-22SBE-002	Seat frame	14
4	<b>3245-56SBE</b>	<b>Push handle, detachable</b>	<b>15</b>
	<b>3245-55SBE</b>	<b>Push-bar, detachable (not illustrated)</b>	<b>16</b>
	<b>3245-35SBE</b>	<b>Push handle, foldable (not illustrated)</b>	<b>18</b>
	<b>3245-30SBE</b>	<b>Push bar, foldable (not illustrated)</b>	<b>20</b>
5	3243-19SB	Tilt adjustment mechanism	23
6	1281-	Castor forks	24
7		Brakes	26
8	1292-xxxx	Rear wheels	31
9	12xx-xxxx	Front wheels	30



Pos	Article number	Component group	Page
1	3245-1101E-xxx	Frame, left	8
2	3245-1102E-xxx	Frame, right	8
3	3245-12SBE-006	Cross tube	9
4	3245-1138E	Bearing seat adapter, left	10
	3245-1139E	Bearing seat adapter, right	10
5	3245-130x	Axis adapter	11
6	3240-13xx	Adapter housing	9
7	3240-14SB-006	Axis tube	9

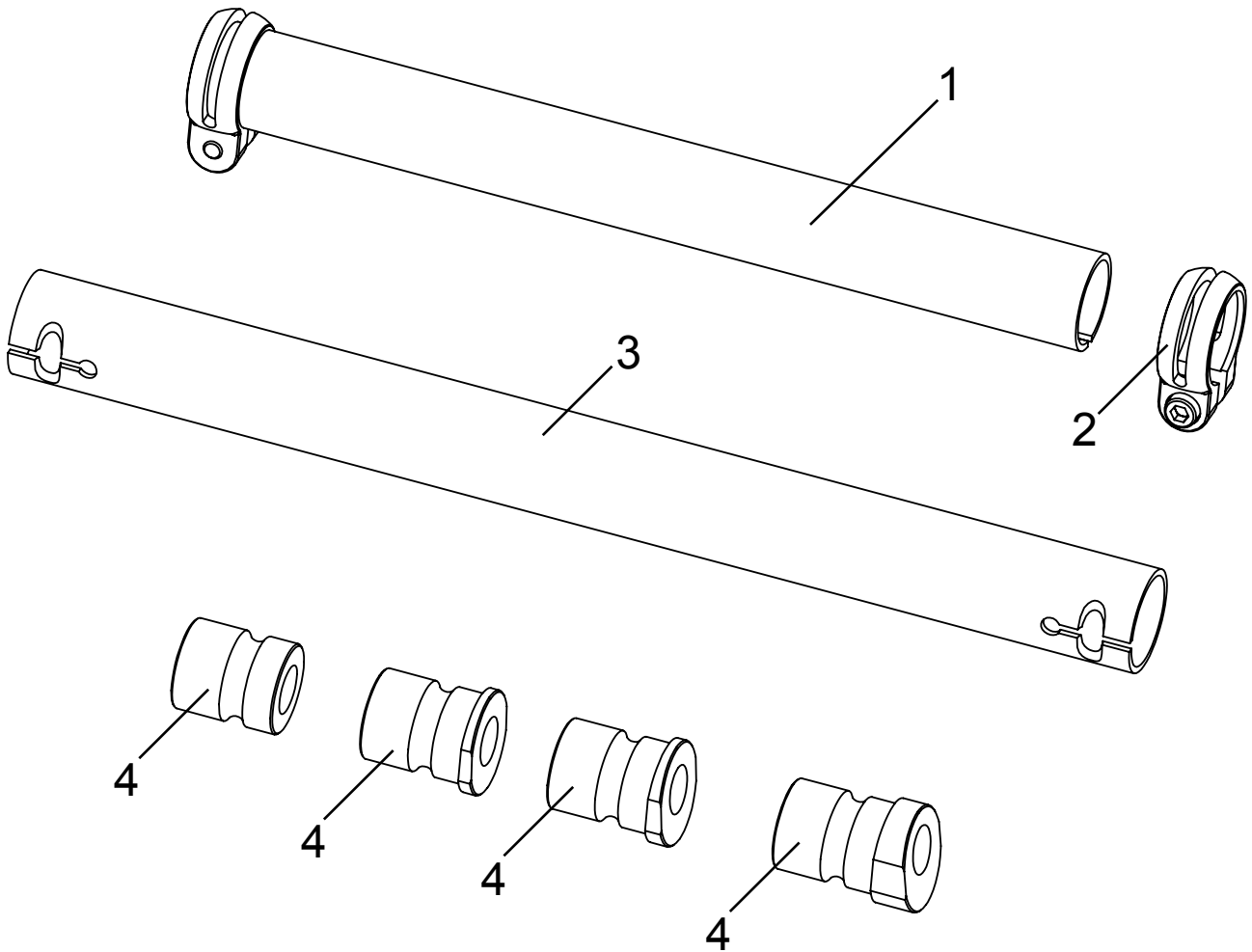
# Spare parts



Pos	Article number	Article description	Quantity	Unit
<b>1-11</b>	<b>3245-1101E-xxx</b>	<b>Frame, left, complete (as shown)</b>	<b>1</b>	<b>Pc.</b>
	<b>3245-1102E-xxx</b>	<b>Frame, right, complete</b>	<b>1</b>	<b>Pc.</b>
1	3245-1110-xxx	Frame, left	1	Pc.
	3245-1120-xxx	Frame, right	1	Pc.
2	3245-1138E	Bearing seat adapter, left	1	Pc.
	3245-1139E	Bearing seat adapter, right	1	Pc.
3	3245-1301E	Axis adapter, left	1	Pc.
	3245-1302E	Axis adapter, right	1	Pc.
4	1129-0010	Saddle clamp d 29,8 mm with screw	2	Pc.
5	1141-0016	Ribbed insert SFL 30	1	Pc.
6	1022-0860	Hexagon socket head cap screw zp DIN/ISO 7984 M8x60	3	Pc.
7	3245-1152	Sattelscheibe	3	Pc.
8	1051-0008	Washer, A8,4	1	Pc.
9	1042-0008	Hexagon nut self-locking zp DIN/ISO 985 M8	2	Pc.
10	1052-0008	Spring washer B8 zp DIN/ISO 137 B8	1	Pc.
11	1022-0875	Hexagon socket head cap screw zp DIN/ISO 7984 M8x75	1	Pc.

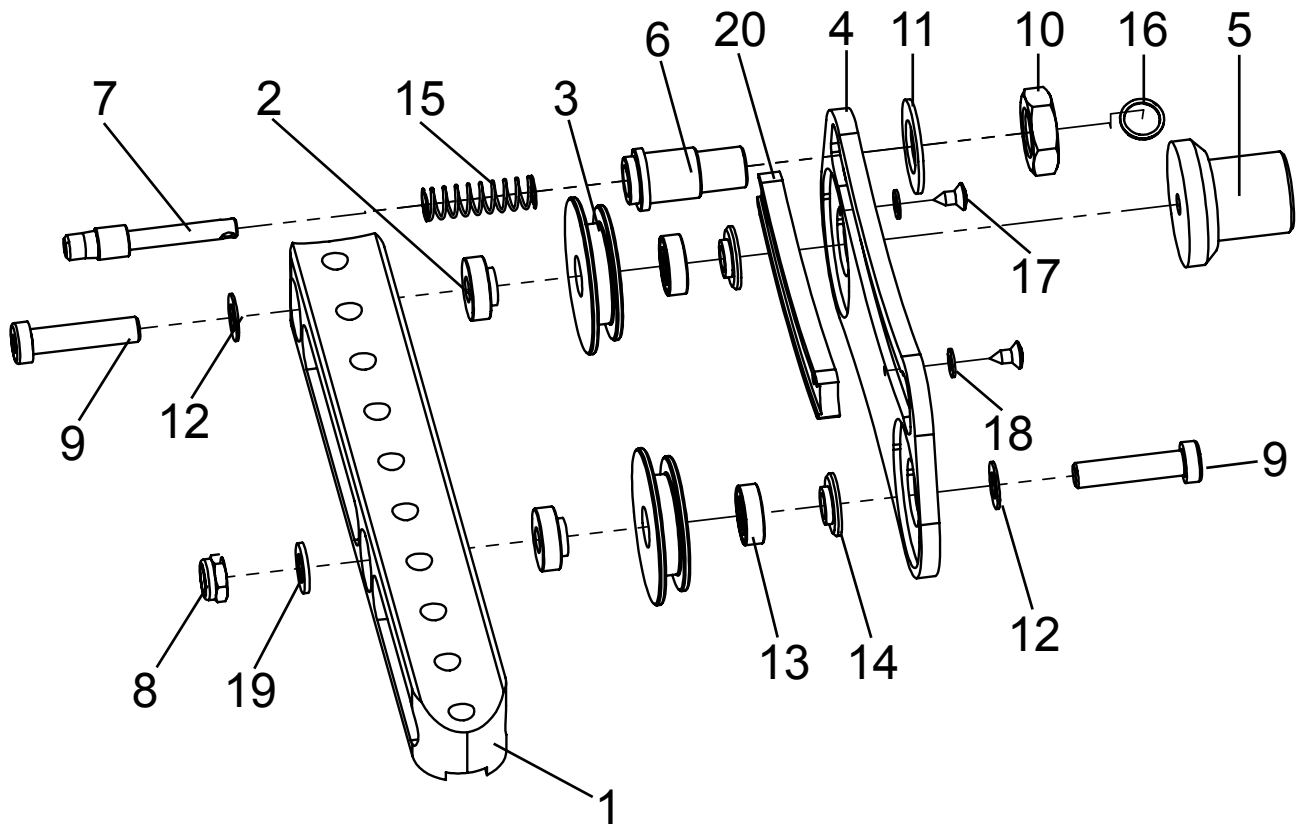


## Spare parts



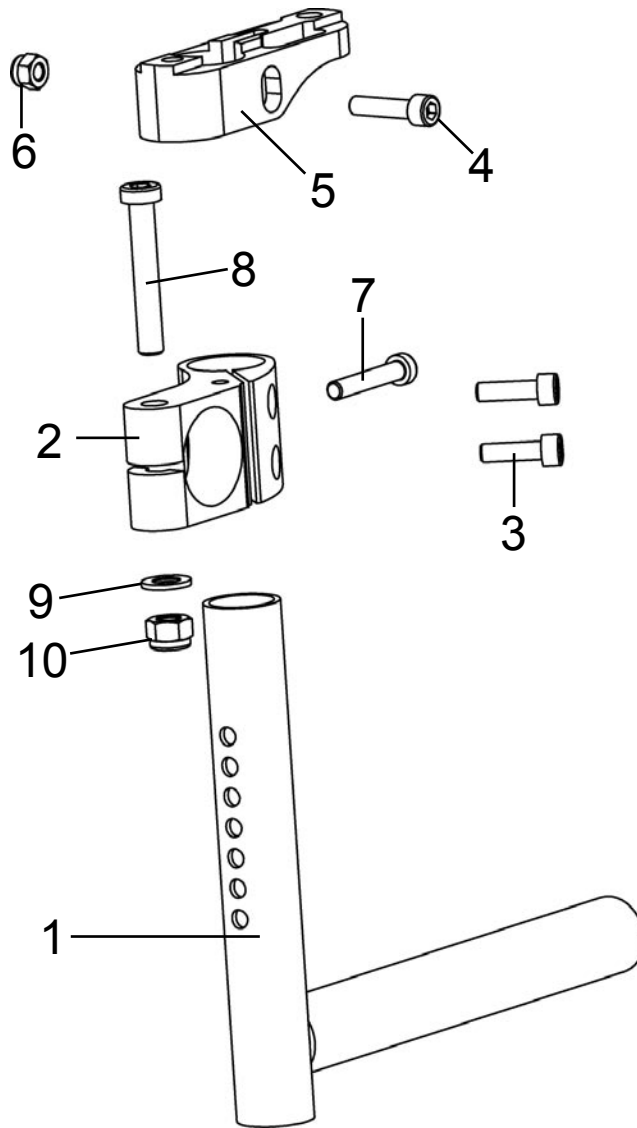
Pos	Article number	Article description	Quantity	Unit
<b>1-4</b>	<b>3245-12SBE-006</b>	<b>Cross tube, complete</b>	<b>1</b>	<b>Pc.</b>
1	3245-12SB-006	Cross tube	1	Pc.
2	1129-0010	Saddle clamp d 29,8 mm with screw	2	Pc.
3	3240-14SB-006	Axis tube	1	Pc.
4	3240-1382-006	Adapter housing 0°, anodised	2	Pc.
	3240-1372-006	Adapter housing 3°, anodised	2	Pc.
	3240-1352-006	Adapter housing 6°, anodised	2	Pc.
	3240-1362-006	Adapter housing 9°, anodised	2	Pc.

# Spare parts



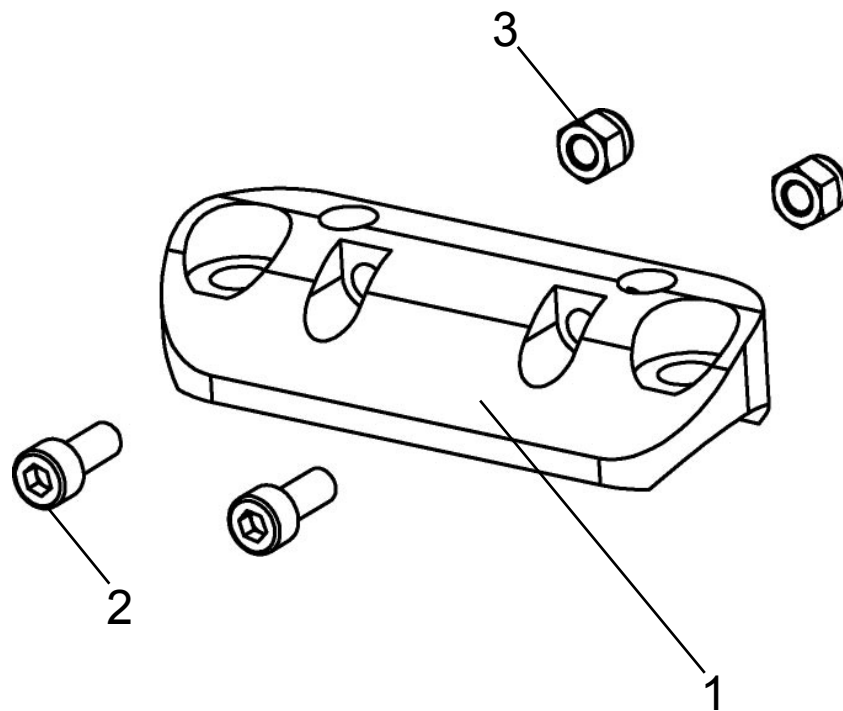
Pos	Article number	Article description	Quantity	Unit
<b>1-20</b>	<b>3245-1138E</b>	<b>Bearing seat adapter, left (as shown)</b>	<b>1</b>	<b>Pc.</b>
	<b>3245-1139E</b>	<b>Bearing seat adapter, right</b>	<b>1</b>	<b>Pc.</b>
1	3245-1131-006	Bearing rail, anodised	1	Pc.
2	3245-1135	<b>Bundachse</b>	2	Pc.
3	3245-1136	Support roller	2	Pc.
4	3245-1142-006	Bearing plate, anodised	1	Pc.
5	3245-1211-006	Clamping adapter, anodised	1	Pc.
6	3245-1145	Locking bolt housing	1	Pc.
7	3240-2422	Locking bolt	1	Pc.
8	1042-0008	Hexagon nut self-locking zp DIN/ISO 985 M8	1	Pc.
9	1022-0850	Hexagon socket head cap screw zp DIN/ISO 7984 M8x50	2	Pc.
10	1040-0016	Hexagon nut zp DIN/ISO 439 BM 16x 1,5	1	Pc.
11	1052-0016	Spring washer B16 zp DIN/ISO 137 B16	1	Pc.
12	1052-0008	Spring washer B8 zp DIN/ISO 137 B8	2	Pc.
13	1090-0004	Grooved ball bearing 6000 2RS D26xd10x8	2	Pc.
14	3245-1137	<b>Schulterbuchse</b>	2	Pc.
15	1131-0043	Compression spring D-143F, 0,9x9,50x35,00x8,5	1	Pc.
16	1129-0012	Key ring 24x1,5	1	Pc.
17	1039-0001	Screw for plastic, cross recessed pan head w. flange zp 4x10	2	Pc.
18	1051-0004	Washer A4,3 zp DIN/ISO 125 A4,3	2	Pc.
19	1051-0008	Washer A8,4 zp DIN/ISO 125 A8,4	2	Pc.
20	3245-1144	Guidance rail	1	Pc.

# Spare parts



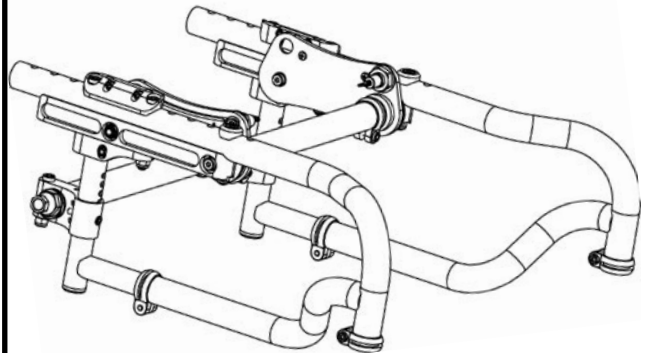
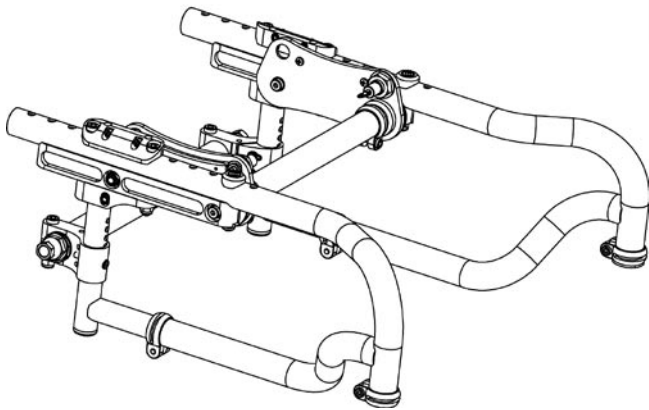
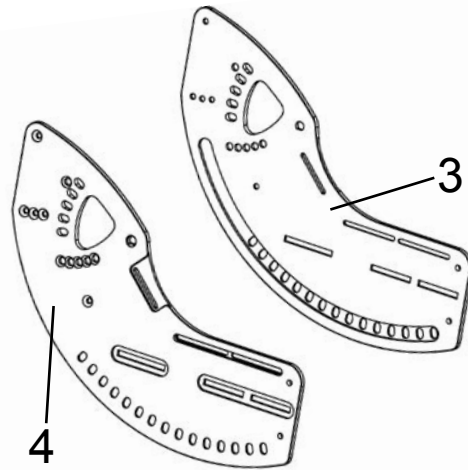
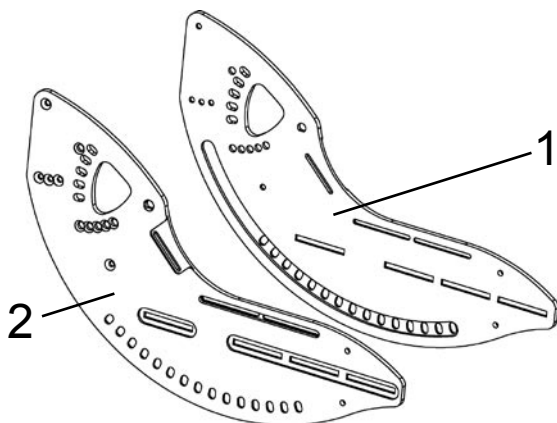
Pos	Article number	Article description	Quantity	Unit
<b>1-10</b>	<b>3245-1301E</b>	<b>Axis adapter left (as shown)</b>	<b>1</b>	<b>Pc.</b>
<b>1-10</b>	<b>3245-1302E</b>	<b>Axis adapter right</b>	<b>1</b>	<b>Pc.</b>
1	3245-1310-006	Axis adapter	1	Pc.
2	3251-1411-006	Connector	1	Pc.
3	1021-0620	Hexagon socket head cap screw zp DIN/ISO 912 M6x20	2	Pc.
4	1021-0625	Zylinderschraube mit ISK verzinkt, M6x25	1	Pc.
5	3245-1132-006	Axis base	1	Pc.
6	1042-0006	Hexagon nut self-locking zp DIN/ISO 985 M6	1	Pc.
7	1022-0635	Cylinder head screw DIN 7984 M6x35	1	Pc.
8	1022-0850	Hexagon socket head cap screw zp DIN/ISO 7984 M8x50	1	Pc.
9	1051-0008	Washer A8,4 zp DIN/ISO 125 A8,4	1	Pc.
10	1042-0008	Hexagon nut self-locking zp DIN/ISO 985 M8	1	Pc.

## Spare parts



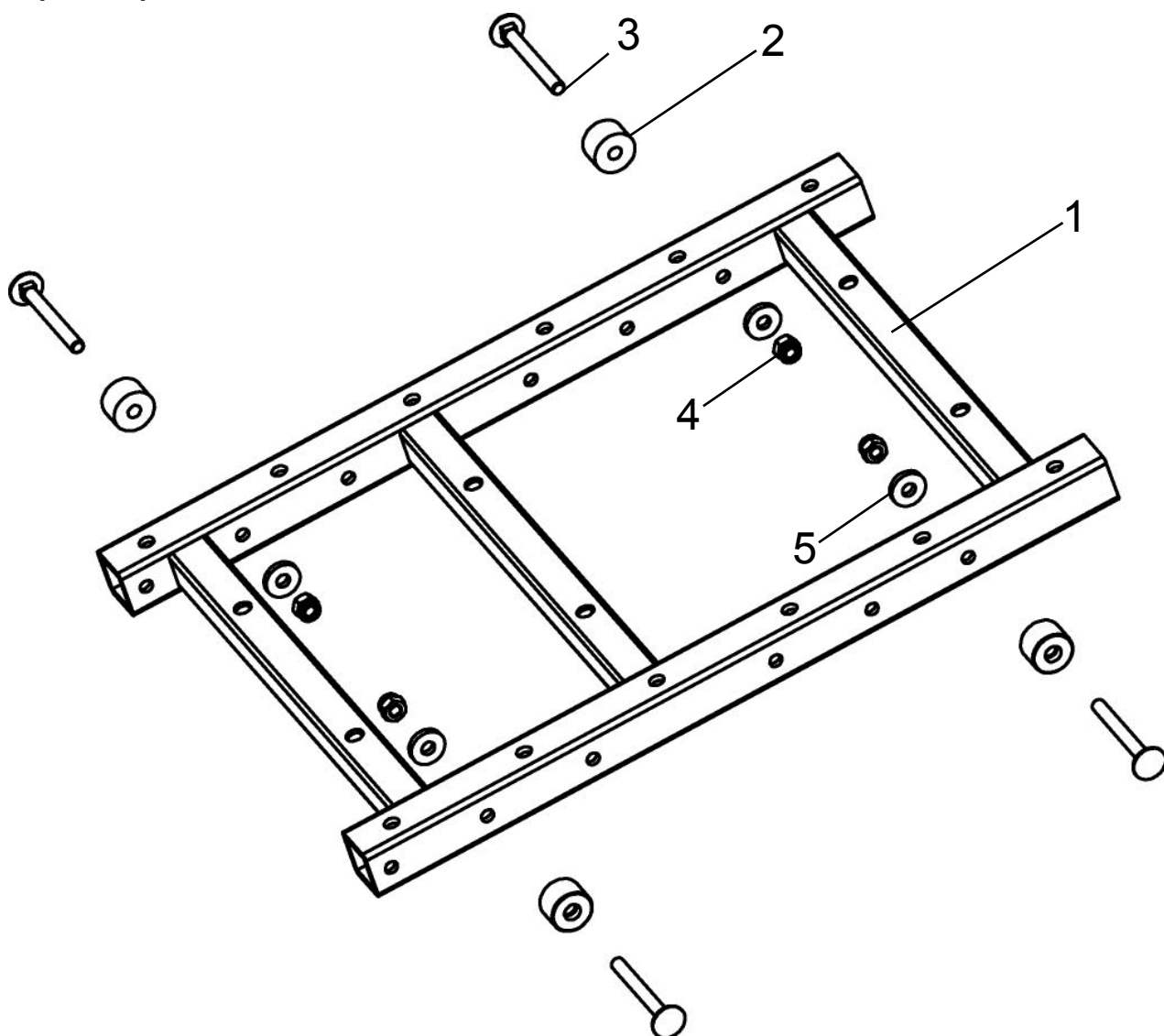
Pos	Article number	Article description	Quantity	Unit
<b>1-3</b>	<b>3245-1134E</b>	<b>Bracket for fender</b>	<b>1</b>	<b>Pc.</b>
1	3245-1134-006	Bracket for fender, anodised	1	Pc.
2	1021-0512	Cylinder head screw zp DIN 912, M5x12	2	Pc.
3	1042-0005	Hexagon nut self-locking zp DIN/ISO 985 M5	2	Pc.

# Spare parts



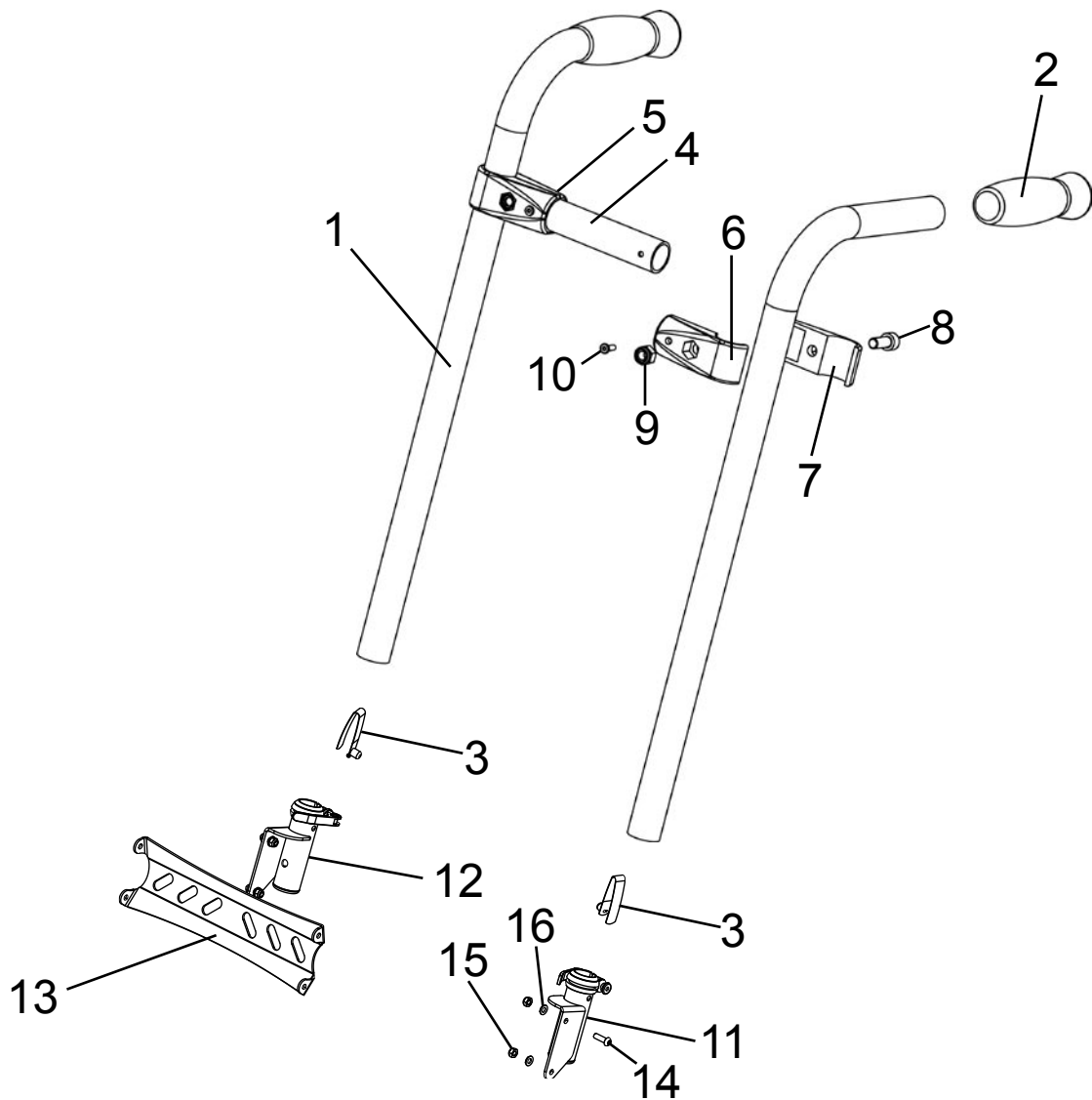
Pos	Article number	Article description	Quantity	Unit
1	3245-1512-006	Seat adapter, left	1	Pc.
2	3245-1513-006	Seat adapter, right	1	Pc.
3	3245-1515-006	Seat adapter short, left	1	Pc.
4	3245-1514-006	Seat adapter short, right	1	Pc.

## Spare parts



Pos	Article number	Article description	Quantity	Unit
<b>1-5</b>	<b>3245-22SBE-002</b>	<b>Seat frame</b>	<b>1</b>	<b>Pc.</b>
1	3245-22SB-002	Seat frame	1	Pc.
2	3245-2111	Distance bush	4	Pc.
3	1026-0655	Mushroom head square neck bolt zp DIN/ISO 603 M6x55	4	Pc.
4	1042-0006	Hexagon nut self-locking zp DIN/ISO 985 M6	4	Pc.
5	1059-0005	Washer	4	Pc.

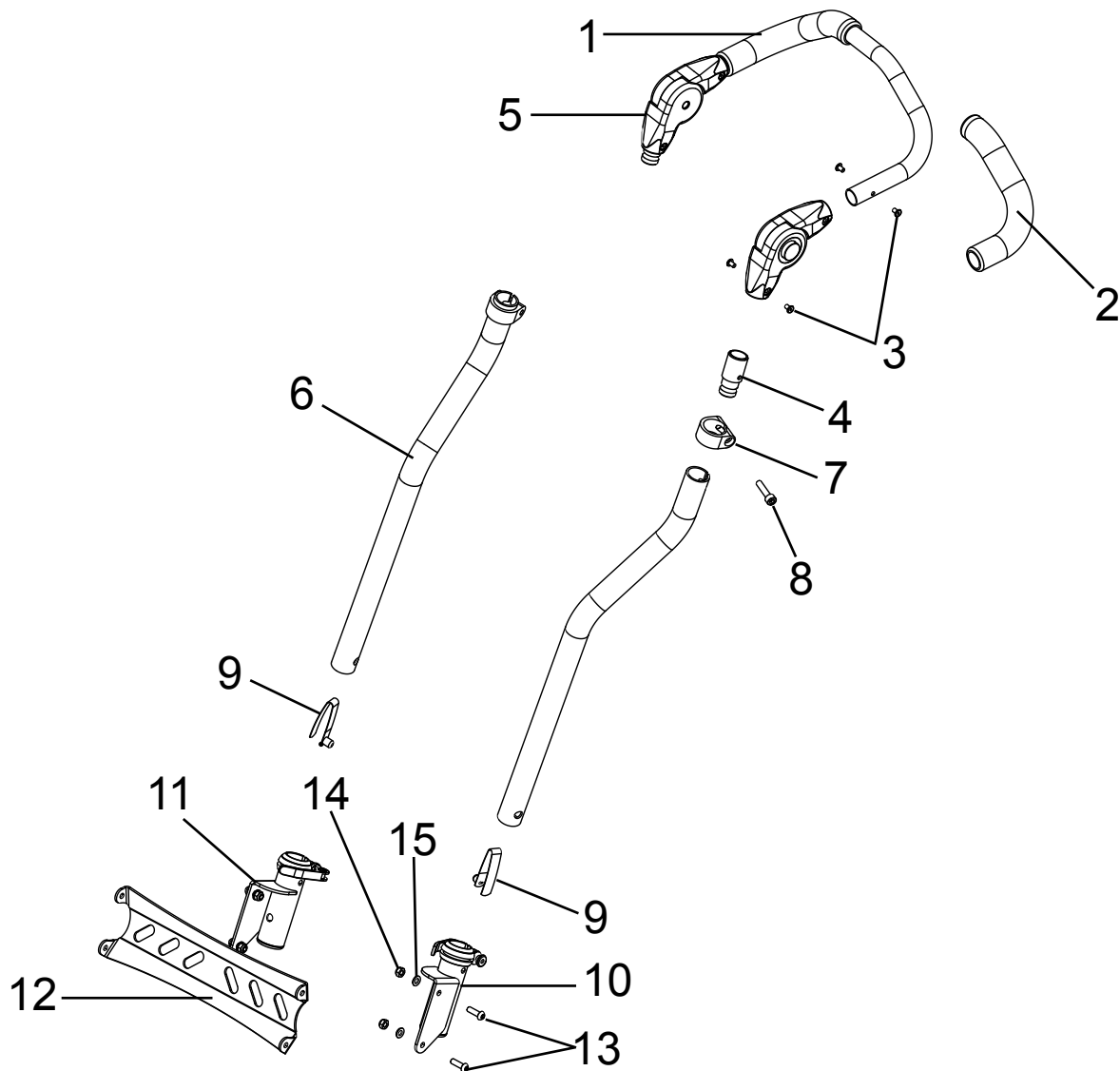
## Spare parts



Pos	Article number	Article description	Quantity	Unit
<b>1-15</b>	<b>3245-56SBE</b>	<b>Push-handle, detachable</b>	<b>1</b>	<b>Set</b>
1-3	3245-5611E	Push-handle, long	2	Pc.
1	3240-5311-006	Bent tube push handle long, anodised	2	Pc.
2	1143-0005	Handle grip TPE black d25 x 120	2	Pc.
3	1134-0006	Snap button B 141 7,7x9,4	2	Pc.
<b>4-10</b>	<b>3245-57SBE</b>	<b>Cross tube, complete</b>	<b>1</b>	<b>Pc.</b>
4	3245-57SB-002	Cross tube, silver	1	Pc.
5	3245-5711	Reducing bush	2	Pc.
6	1145-0001-001	Tube connector T-90° 25/25 with bore 4,2, black	2	Pc.
7	1145-0002-001	Tube connector T-90° 25/25 4,2, black	2	Pc.
8	1021-0820	Hexagon socket head cap screw zp DIN/ISO 912 M8x20	2	Pc.
9	1042-0008	Hexagon nut self-locking zp DIN/ISO 985 M8	2	Pc.
10	1062-0412	Blind rivet St/St DIN/ISO 7337 F4x12	2	Pc.
11	3245-5150E	Push-handle adapter left, complete	1	Pc.
12	3245-5170E	Push-handle adapter right, complete	1	Pc.
13	3245-52SB-002	<b>Schiebertraverse</b>	1	Pc.
14	1021-0620	Hexagon socket head cap screw zp DIN/ISO 912 M6x20	4	Pc.
15	1042-0006	Hexagon nut self-locking zp DIN/ISO 985 M6	4	Pc.
16	1051-0006	Washer A6,4 zp DIN/ISO 125 A6,4	4	Pc.

SB = Please complete the article number with your seat width.

# Spare parts

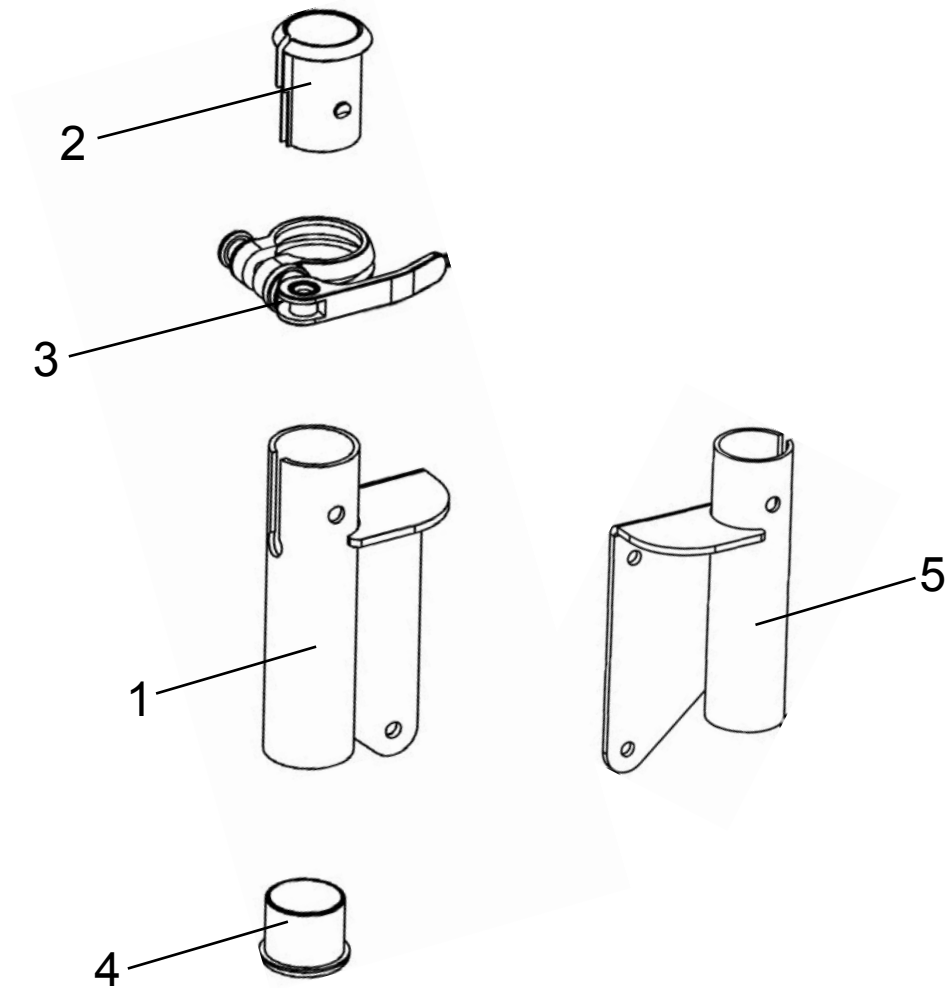


Pos	Article number	Article description	Quantity	Unit
<b>1-15</b>	<b>3245-55SBE</b>	<b>Push-bar, detachable</b>	<b>1</b>	<b>Set</b>
1-5	3240-5550E	Push-bar, upper part, size 1 complete (SB 28 and 32)	1	Pc.
	3240-5560E	Push-bar, upper part, size 2 complete (SB 36 and 40)	1	Pc.
1	3240-5552-002	Push-bar, upper part, size 1 (SB 28 and 32)	1	Pc.
	3240-5562-002	Push-bar, upper part, size 2 (SB 36 and 40)	1	Pc.
2	1143-0001	Handle grip EVA black d30 x 260	2	Pc.
3	1062-0508	Blind rivet St/St DIN/ISO 7337 F5x8	8	Pc.
4	3240-5554	Coupling binder	2	Pc.
5	1129-0009	Ratchet joint 25x22	1	Pair
6-9	3245-3113-006	Push-bar, bottom part, anodised	2	Pc.
7	3240-5553-006	Clamping ring, anodised	2	Pc.
8	1021-0625	Hexagon socket head cap screw zp DIN/ISO 912 M6x25	2	Pc.
9	1134-0006	Snap button B 141 7,7x9,4	2	Pc.
10	3245-5150E	Push-handle adapter left, complete	1	Pc.
11	3245-5170E	Push-handle adapter right, complete	1	Pc.
12	3245-52SB-002	<b>Schiebertraverse</b>	1	Pc.
13	1029-0620	Button head socket screw zp DIN/ISO 7380 M6x20	4	Pc.
14	1042-0006	Hexagon nut self-locking zp DIN/ISO 985 M6	4	Pc.
15	1051-0006	Washer A6,4 zp DIN/ISO 125 A6,4	4	Pc.

SB = Please complete the article number with your seat width.

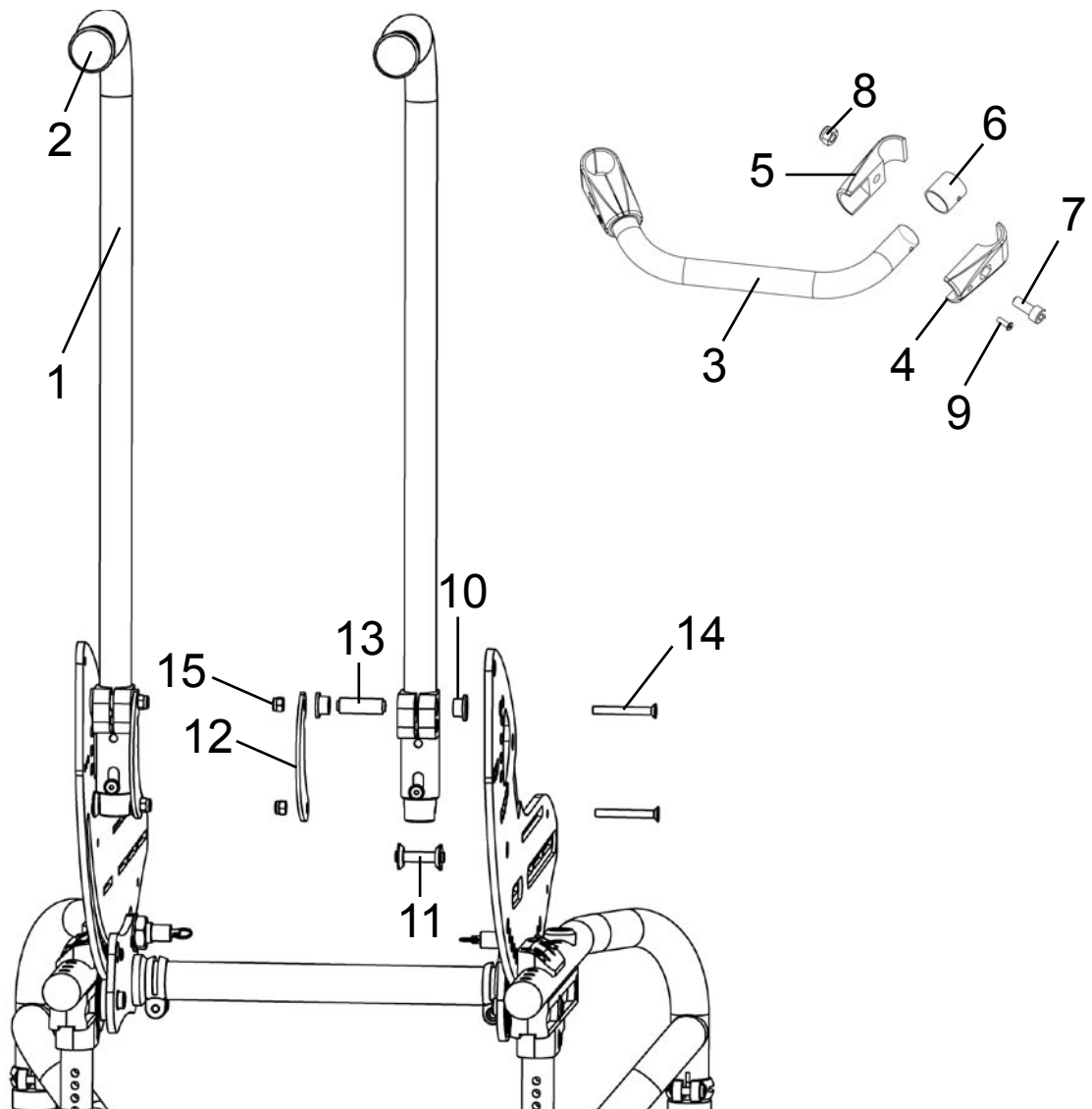


# Spare parts



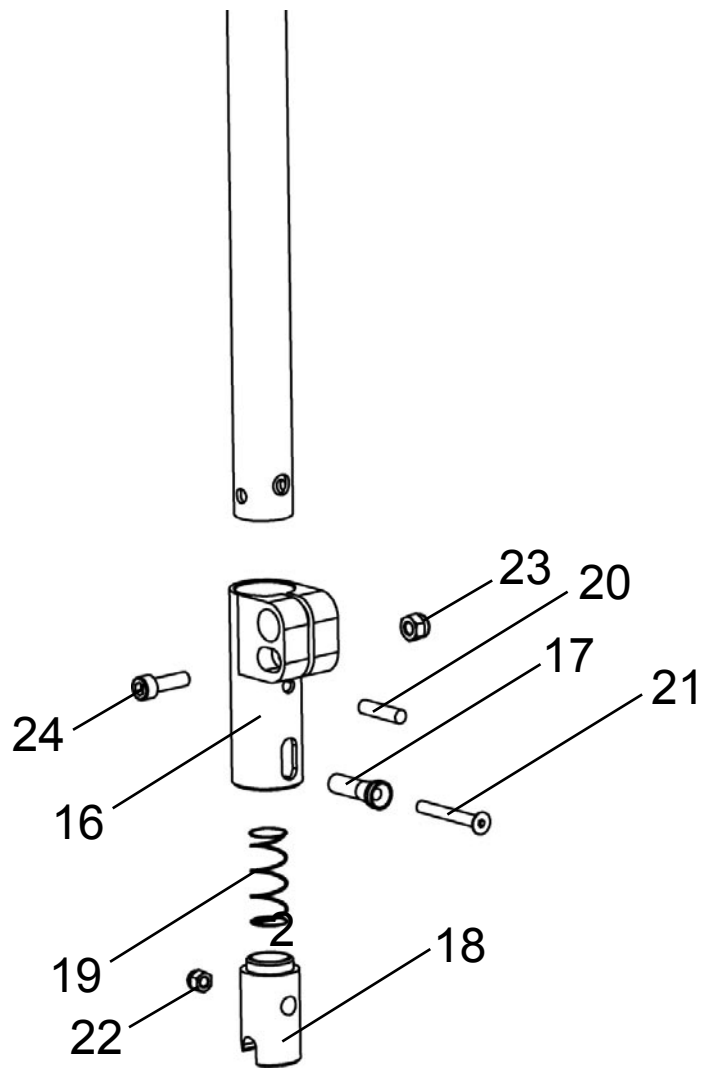
Pos	Article number	Article description	Quantity	Unit
<b>1-4</b>	<b>3245-5150E</b>	<b>Push-handle adapter, left, complete</b>	<b>1</b>	<b>Pc.</b>
<b>2-5</b>	<b>3245-5170E</b>	<b>Push-handle adapter, right, complete</b>	<b>1</b>	<b>Pc.</b>
1	3245-5160-002	Push-handle, left	1	Pc.
2	3301-1240	Clamp bushing	1	Pc.
3	1129-0007	Saddle clamp with quick-release D 31,8 left	1	Pc.
4	3301-1530	Flange bushing	1	Pc.
5	3245-5180-002	Push-handle, right	1	Pc.

# Spare parts



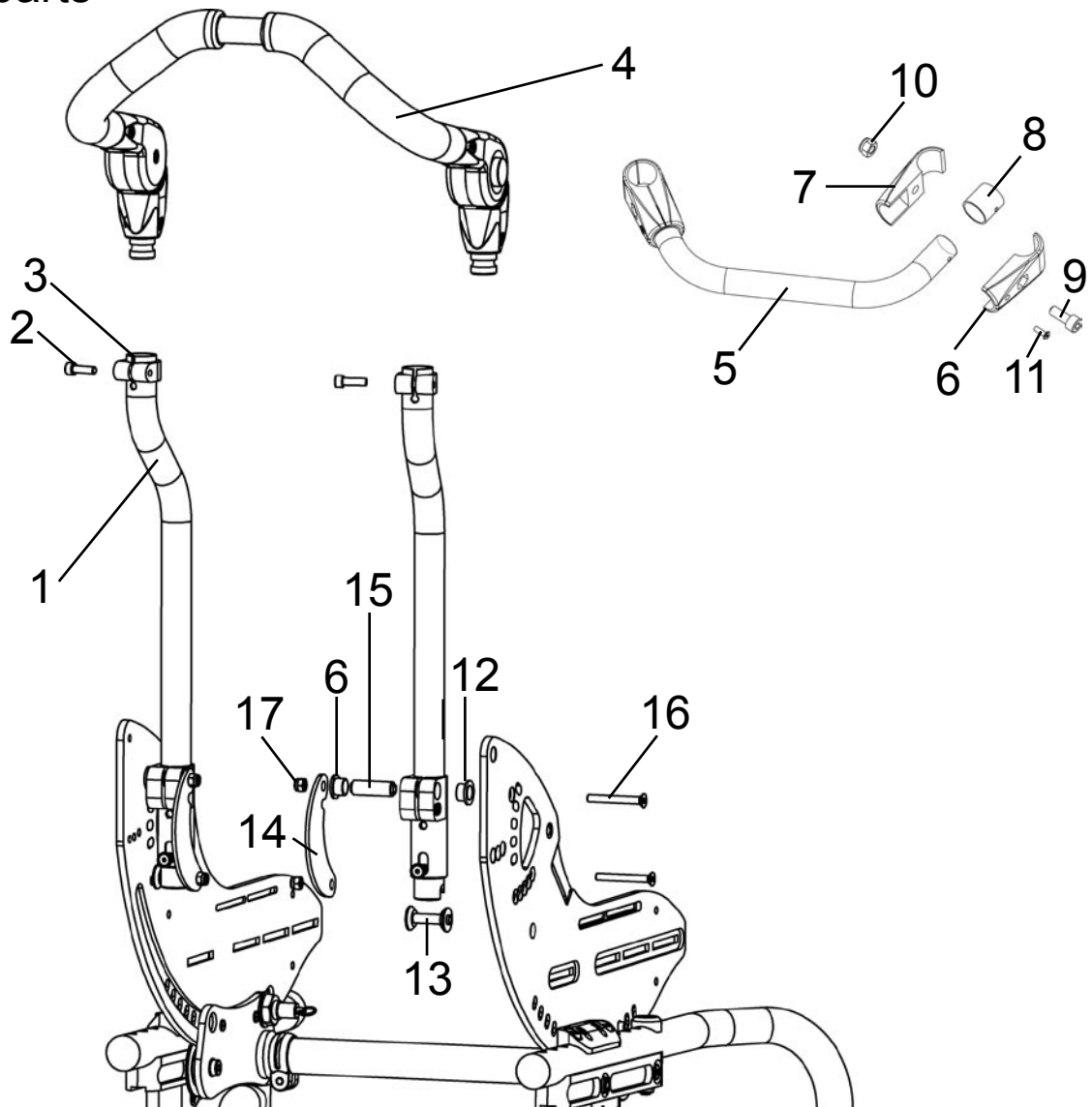
Pos	Article number	Article description	Quantity	Unit
<b>1-24</b>	<b>3245-35SBE</b>	<b>Push-handle, foldable</b>	<b>1</b>	<b>Set</b>
1-2	3245-5610E	Push-handle	2	Pc.
1	3245-5611-006	Rohrbogen Schiebegriff, lang, eloxiert	1	Pc.
2	1143-0005	Handle grip TPE black d25 x 120	1	Pc.
<b>3-9</b>	<b>3245-36SBE</b>	<b>Cross bail, complete</b>	<b>1</b>	<b>Pc.</b>
3	3245-36SB-002	Cross bail	1	Pc.
4	1145-0001-001	Tube connector T-90° 25/25 with bore 4,2, black	2	Pc.
5	1145-0002-001	Tube connector T-90° 25/25 4,2, black	2	Pc.
6	3245-5711	Reducing bush	2	Pc.
7	1021-0820	Hexagon socket head cap screw zp DIN/ISO 912 M8x20	2	Pc.
8	1042-0008	Hexagon nut self-locking zp DIN/ISO 985 M8	2	Pc.
9	1062-0412	Blind rivet St/St DIN/ISO 7337 F4x12	2	Pc.
10-24	3245-3010E-006	Push-bar adapter, complete	2	Pc.
10	3245-3019	Flanged bush	4	Pc.
11	3245-3014	Riegelwelle	2	Pc.
12	3245-3016-002	Backup bar, silver	2	Pc.
13	3245-3015	Bearing shaft	2	Pc.
14	1024-0650	Hexagon socket countersunk head screw zp DIN/ISO 7991 M6x50	4	Pc.
15	1042-0006	Hexagon nut self-locking zp DIN/ISO 985 M6	4	Pc.

## Spare parts



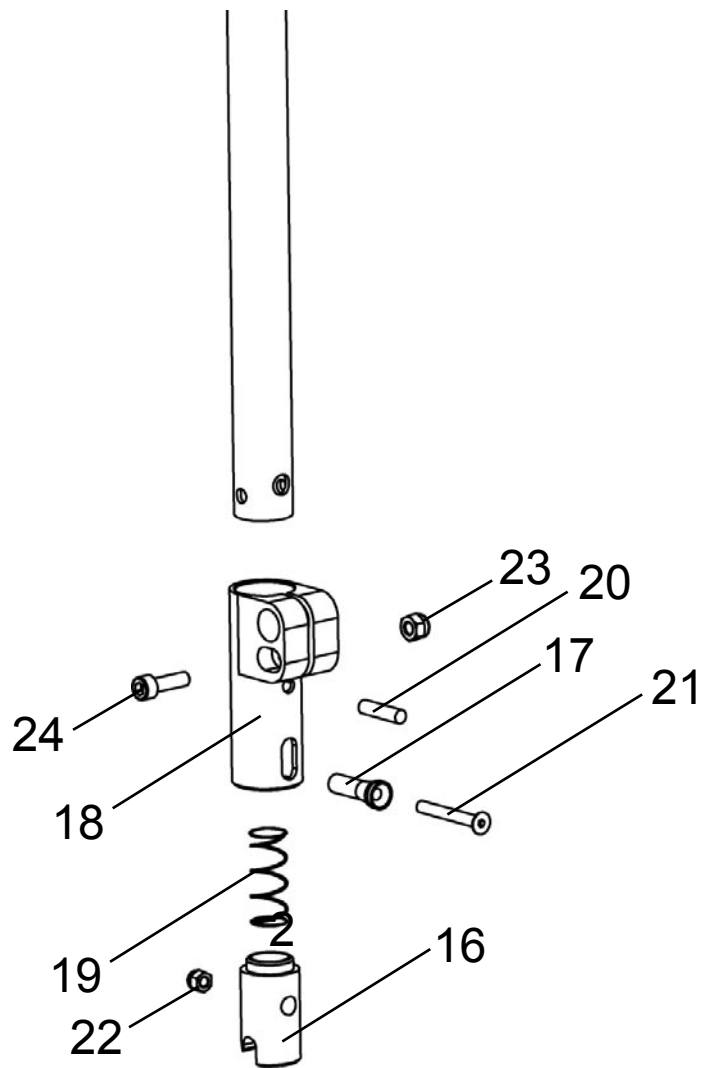
Pos	Article number	Article description	Quantity	Unit
16	3245-3011-006	Push-bar adapter, anodised	2	Pc.
17	3245-3013	Activator	2	Pc.
18	3245-5112	Locking claw	2	Pc.
19	1131-0064	Compression spring D-142A 0,9x15x39,2x3,5	1	Pc.
20	1071-0624	Parallel pin DIN 7 6 M6x24	1	Pc.
21	1024-0540	Hexagon socket countersunk head screw zp DIN/ISO 7991 M5x40	1	Pc.
22	1042-0005	Hexagon nut self-locking zp DIN/ISO 985 M5	1	Pc.
23	1042-0006	Hexagon nut self-locking zp DIN/ISO 985 M6	1	Pc.
24	1021-0620	Hexagon socket head cap screw zp DIN/ISO 912 M6x20	1	Pc.

# Spare parts



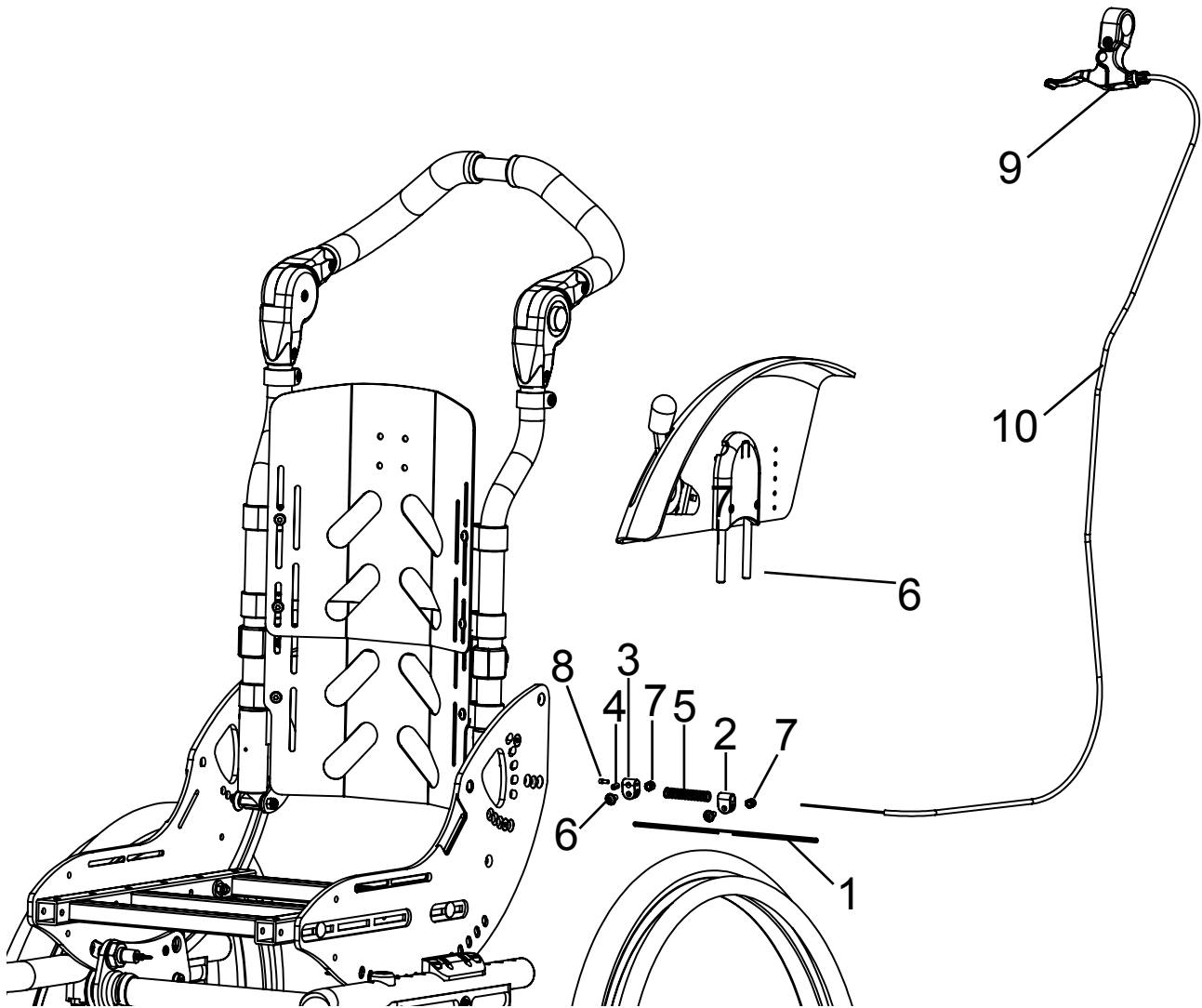
Pos	Article number	Article description	Quantity	Unit
<b>1-24</b>	<b>3245-30SBE</b>	<b>Push-bar, foldable</b>	<b>1</b>	<b>Pc.</b>
1	3245-3113-006	Push-bar, bottom part, anodised	2	Pc.
2	1021-0620	Hexagon socket head cap screw zp DIN/ISO 912 M6x20	2	Pc.
3	3240-5553-006	Clamping ring, anodised	1	Pc.
4	3240-5550E	Push-bar, upper part, size 1 complete (SB 28 and 32)	1	Pc.
	3240-5560E	Push-bar, upper part, size 2 complete (SB 36 and 40)	1	Pc.
5-11	3245-36SBE	Cross bail, complete	1	Pc.
5	3245-36SB-002	Cross bail	1	Pc.
6	1145-0001-001	Tube connector T-90° 25/25 with bore 4,2, black	2	Pc.
7	1145-0002-001	Tube connector T-90° 25/25 4,2, black	2	Pc.
8	3245-5711	Reducing bush	2	Pc.
9	1021-0820	Hexagon socket head cap screw zp DIN/ISO 912 M8x20	2	Pc.
10	1042-0008	Hexagon nut self-locking zp DIN/ISO 985 M8	2	Pc.
11	1062-0412	Blind rivet St/St DIN/ISO 7337 F4x12	2	Pc.
12-24	3245-3010E-006	Push-bar adapter, complete	2	Pc.
12	3245-3019	Flanged bush	4	Pc.
13	3245-3014	Riegelwelle	2	Pc.
14	3245-3016-002	Backup bar, silver	2	Pc.
15	3245-3015	Bearing shaft	2	Pc.
16	1024-0650	Hexagon socket countersunk head screw zp DIN/ISO 7991 M6x50	4	Pc.
17	1042-0006	Hexagon nut self-locking zp DIN/ISO 985 M6	4	Pc.

# Spare parts



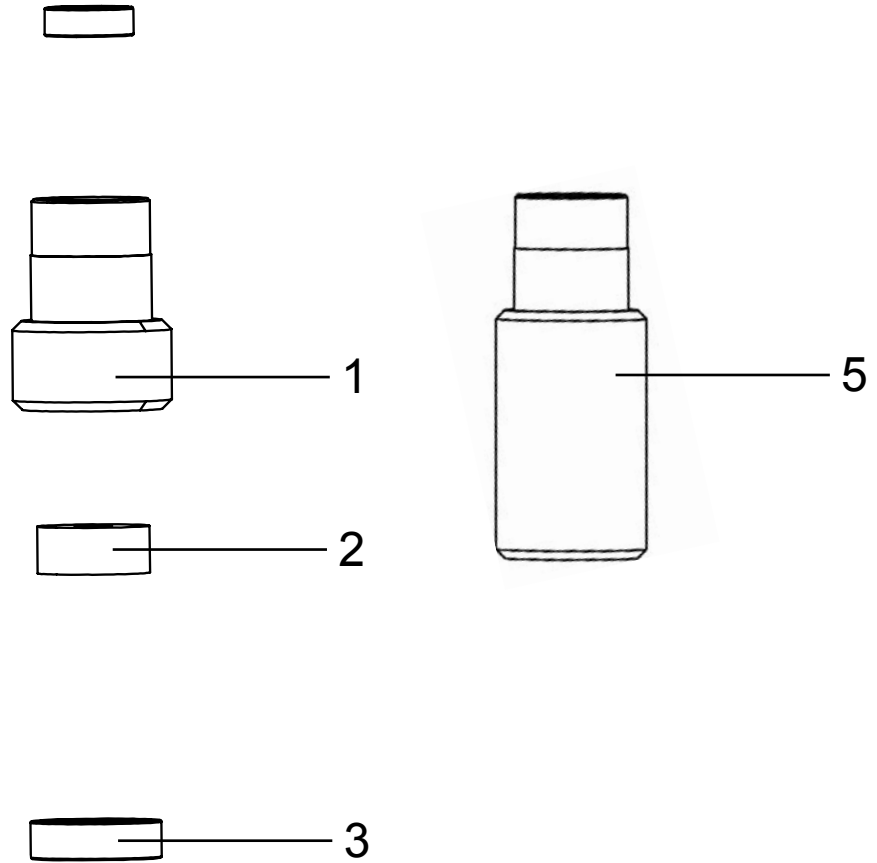
Pos	Article number	Article description	Quantity	Unit
16	3245-3011-006	Push-bar adapter, anodised	2	Pc.
17	3245-3013	Activator	2	Pc.
18	3245-5112	Locking claw	2	Pc.
19	1131-0064	Compression spring D-142A 0,9x15x39,2x3,5	1	Pc.
20	1071-0624	Parallel pin DIN 7 6 M6x24	1	Pc.
21	1024-0540	Hexagon socket countersunk head screw zp DIN/ISO 7991 M5x40	1	Pc.
22	1042-0005	Hexagon nut self-locking zp DIN/ISO 985 M5	1	Pc.
23	1042-0006	Hexagon nut self-locking zp DIN/ISO 985 M6	1	Pc.
24	1021-0620	Hexagon socket head cap screw zp DIN/ISO 912 M6x20	1	Pc.

# Spare parts



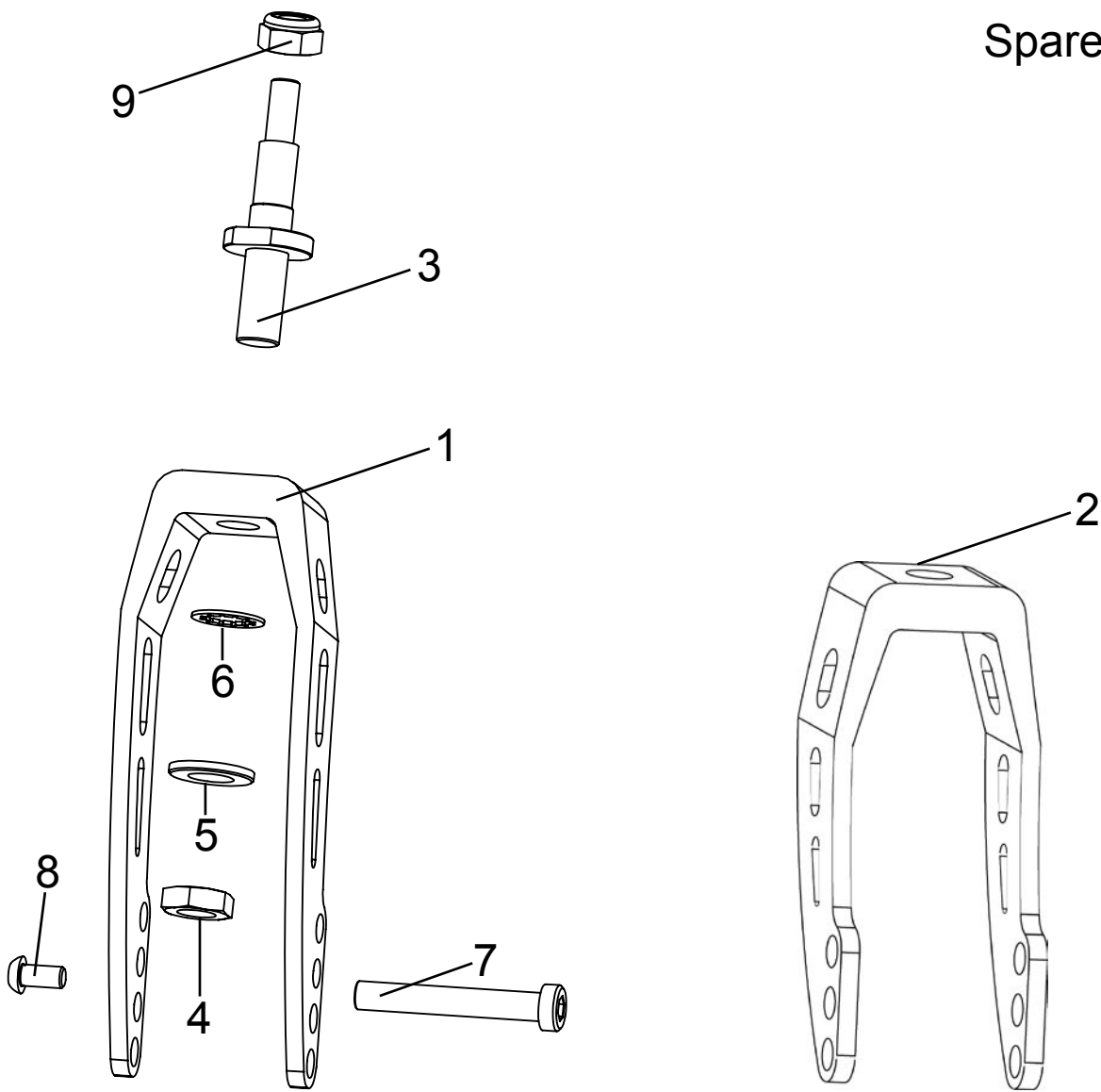
Pos	Article number	Article description	Quantity	Unit
<b>1-8</b>	<b>3245-1901E</b>	<b>Tilt adjustment, complete</b>	<b>1</b>	<b>Pc.</b>
1	1129-0011	Wire-rope	0,5	m
2	3243-1931	Bowden bearing	1	Pc.
3	3243-1932	Nipple bearing	1	Pc.
4	1099-0004	Screw nipple 1100, D5x8	1	Pc.
5	1131-0062-008	Compression spring D-180-13 1,1x9x50x12,5	1	Pc.
6	1030-0510	Button head socket screw with flange zp M5x10	2	Pc.
7	1042-0005	Hexagon nut self-locking zp DIN/ISO 985 M5	2	Pc.
8	1209-0007	End cap aluminium U-BA-S for Bowden cable wire	1	Pc.
9	1209-0017	Brake lever with splittet bracket, d 22 mm	1	Pc.
10	1209-0028	Bowden cable 1230x1360	1	Pc.

# Spare parts



Pos	Article number	Article description	Quantity	Unit
<b>1-4</b>	<b>3240-1170E</b>	<b>Castor fork bracket, complete</b>	<b>1</b>	<b>Pc.</b>
1	3240-1171-007	Castor fork bracket	1	Pc.
2	3240-1172	Abrasive sleeve	1	Pc.
3	1090-0005	Grooved ball bearing 6001 2RS D28xd12x8	1	Pc.
4	1090-0001	Grooved ball bearing 619-8 ZZ D19xd8x6 (698 ZZ)	1	Pc.
<b>2-5</b>	<b>3245-1170E</b>	<b>Castor fork bracket, high, complete</b>	<b>1</b>	<b>Pc.</b>
5	3245-1172-007	Castor fork bracket, high	1	Pc.

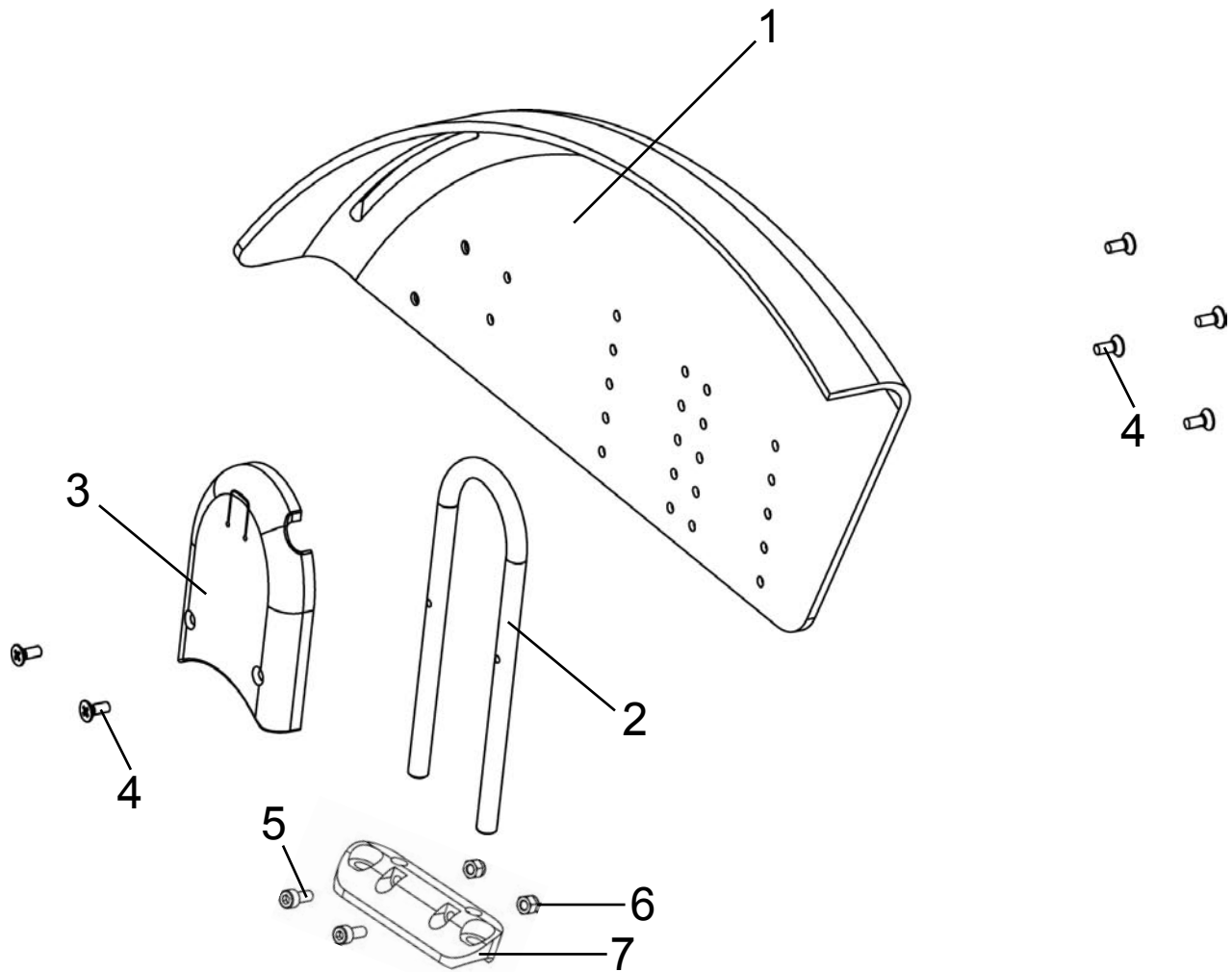
# Spare parts



Pos	Article number	Article description	Quantity	Unit
1	1281-0011	Castor fork aluminum CLASSIC 200	1	Pc.
2	1281-0010	Casor fork aluminum, short, CLASSIC 150	1	Pc.
3	1205-0007	Castor fork axle	1	Pc.
4	1043-0012	Hexagon nut zp DIN/ISO 4035 M12	1	Pc.
5	1051-0012	Washer A13 zp DIN/ISO 125 A 13	1	Pc.
6	1052-0012	Spring washer B12 zp DIN/ISO 137 B12	1	Pc.
7	1205-0009	Wheel axis L54	1	Pc.
8	1042-0008	Hexagon nut self-locking zp DIN/ISO 985 M8	1	Pc.
9	1042-0008	Hexagon nut self-locking zp DIN/ISO 985 M8	1	Pc.



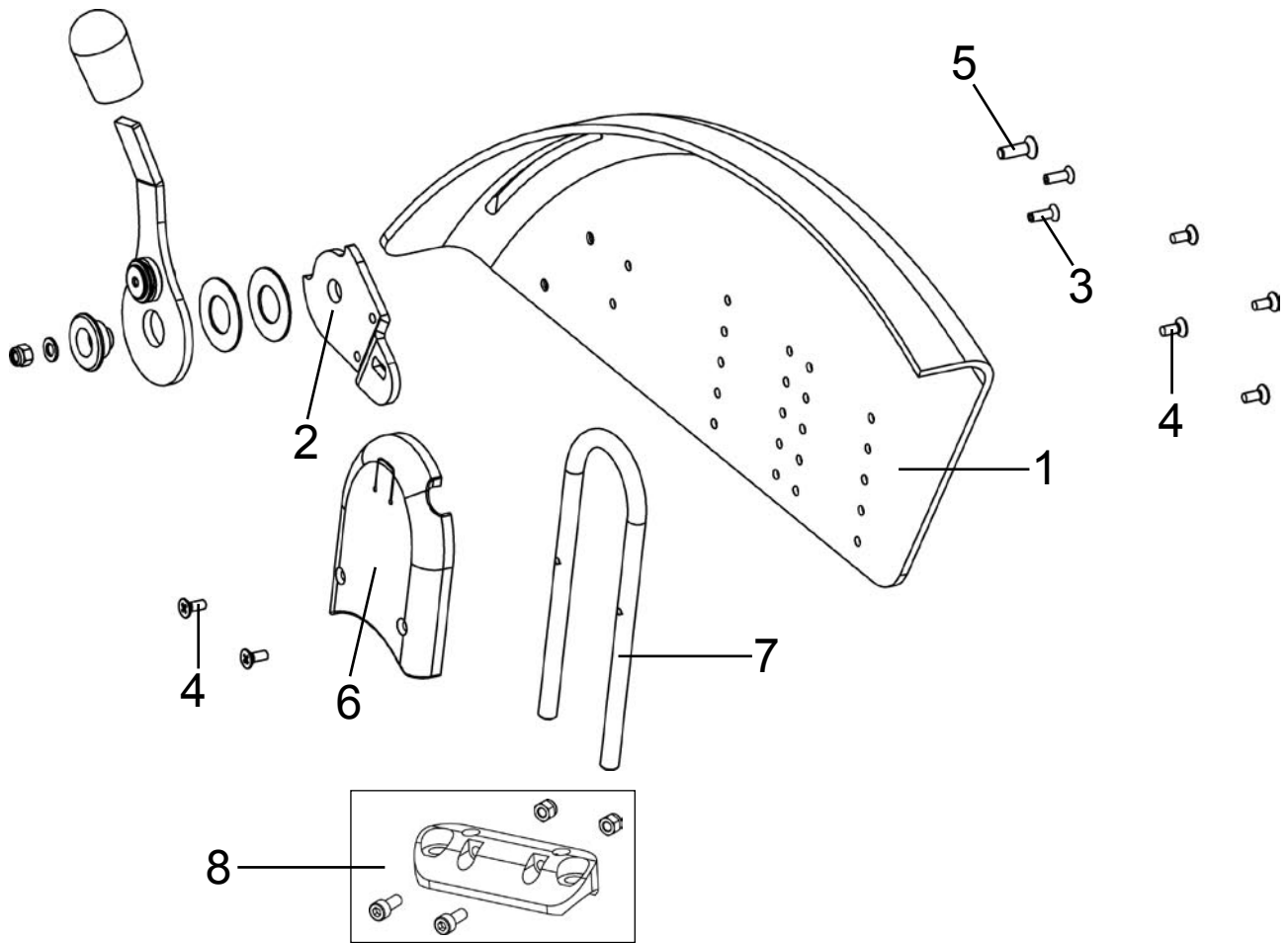
# Spare parts



Pos	Article number	Article description	Quantity	Unit
<b>1-6</b>	<b>3245-160x*</b>	<b>Fender</b>	<b>1</b>	<b>Set</b>
1	3240-1611	Fender, left 20"	1	Pc.
	3240-1621	Fender, right 20"	1	Pc.
	3240-1631	Fender, left 22"	1	Pc.
	3240-1641	Fender, right 22"	1	Pc.
	3240-1651	Fender, left 24"	1	Pc.
	3240-1661	Fender, right 24"	1	Pc.
2	3240-1691-006	U-bracket 120, anodised	2	Pc.
	3240-1692-006	U-bracket 150, anodised	2	Pc.
3	3240-1681	Adapter for fender	2	Pc.
4	1039-0006	Tapping screw with countersunk head	12	Pc.
<b>5-7</b>	<b>3245-1134E</b>	<b>Bracket for fender with fasteners</b>	<b>2</b>	<b>Pc.</b>
5	1021-0512	Cylinder head screw zp DIN 912, M5x12	4	Pc.
6	1042-0005	Hexagon nut self-locking zp DIN/ISO 985 M5	4	Pc.
7	3245-1134-006	Adapter for fender, anodised	2	Pc.

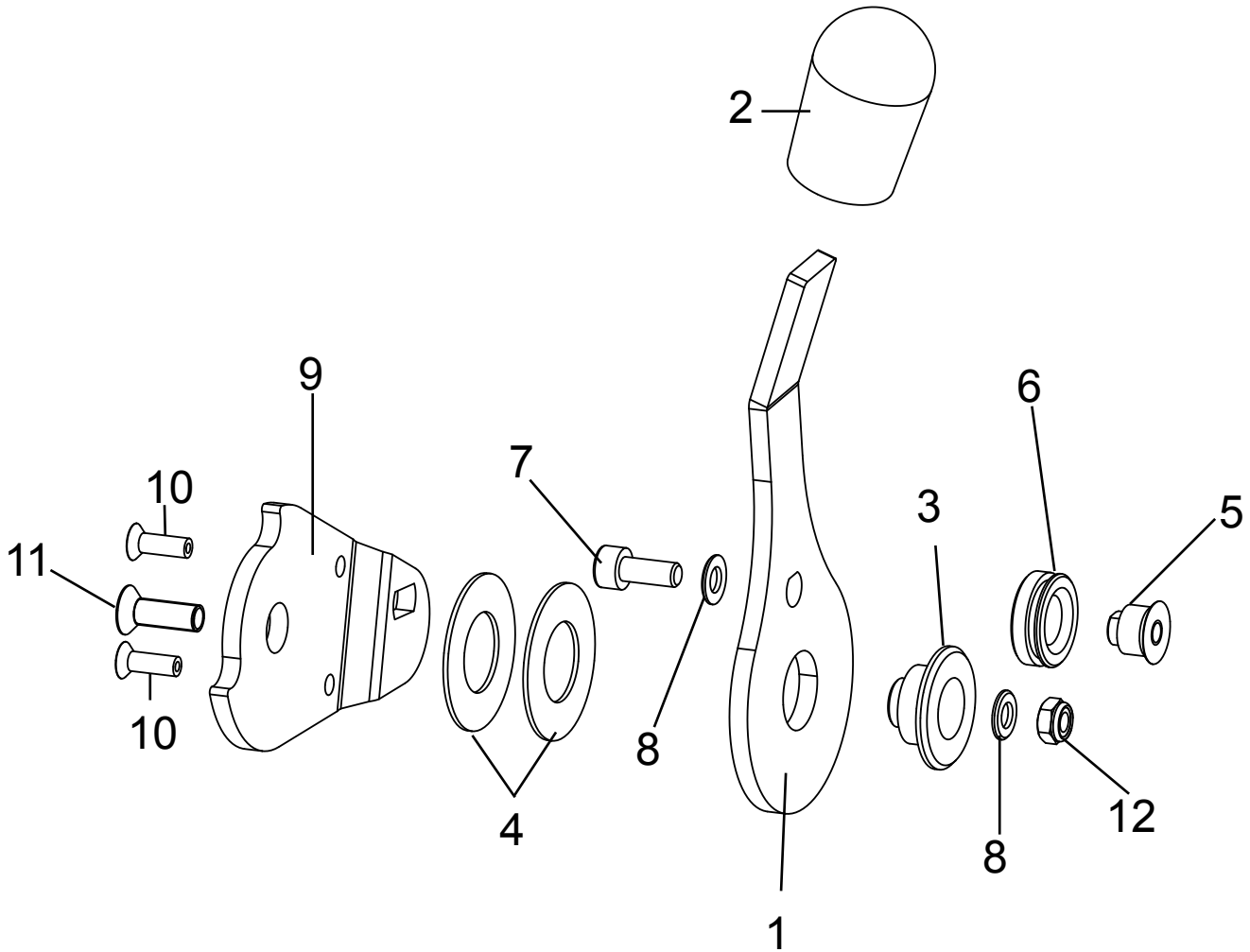
\* (0=20", 2=22", 4=24")

# Spare parts



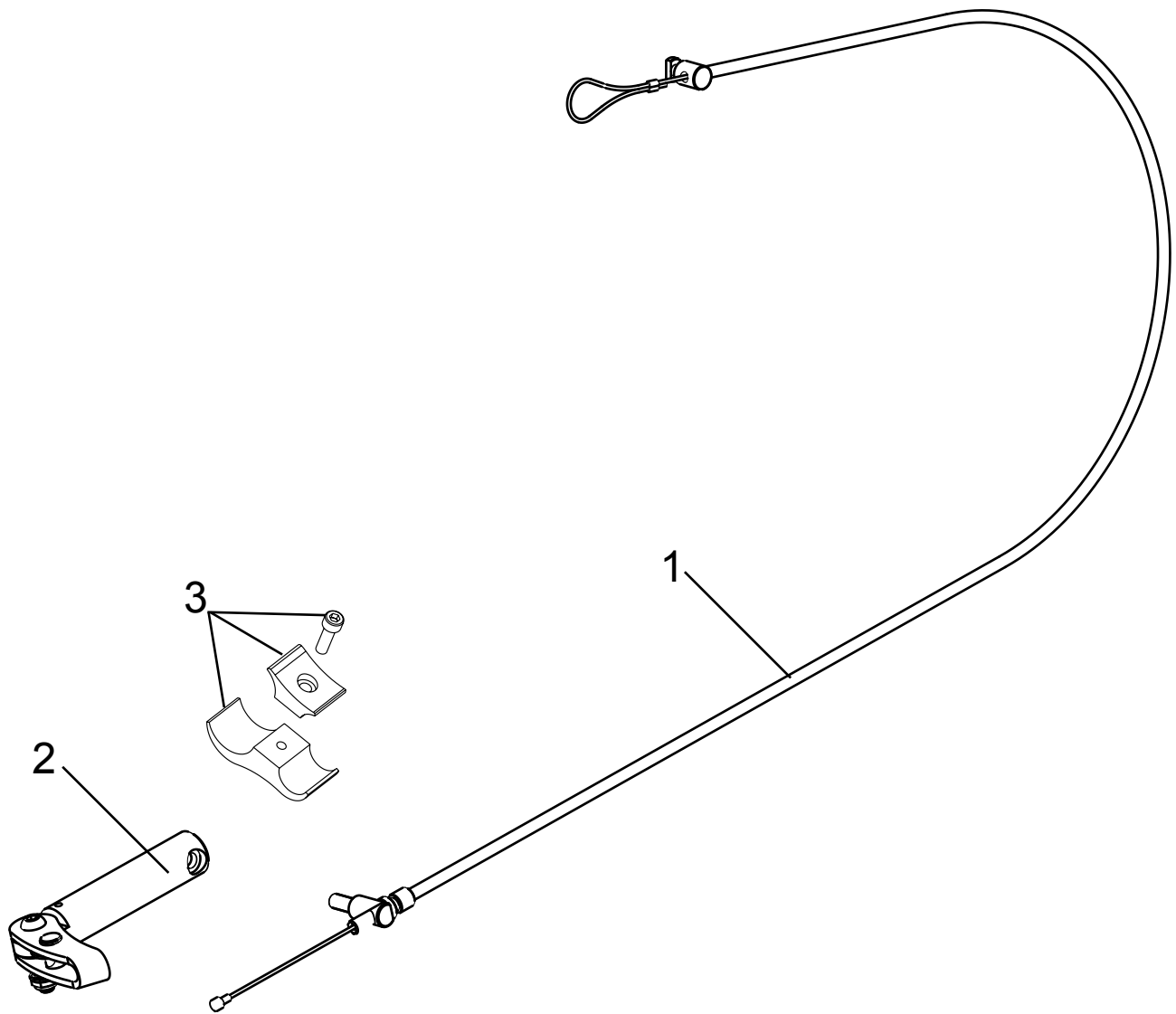
Pos	Article number	Article description	Quantity	Unit
1-3	3240-1611E	Fender, left 20"	1	Pc.
	3240-1621E	Fender, right 20" (not illustrated)	1	Pc.
	3240-1631E	Fender, left 22" (not illustrated)	1	Pc.
	3240-1641E	Fender, right 22" (not illustrated)	1	Pc.
	3240-1651E	Fender, left 24" (not illustrated)	1	Pc.
	3240-1661E	Fender, right 24" (not illustrated)	1	Pc.
2	3251-1741	Base plate brake lock lever, left	1	Pc.
	3251-1751	Base plate brake lock lever, right	1	Pc.
3	1063-0412	Blind rivet St/St DIN/ISO 7337 S4x12	4	Pc.
4	1039-0006	Tapping screw with countersunk head	12	Pc.
5	1024-0516	Hexagon socket countersunk head screw zp DIN/ISO 7991 M5x16	2	Pc.
6	3240-1681	Adapter for fender	2	Pc.
7	3240-1691-006	U-bracket 120, anodised	2	Pc.
	3240-1692-006	U-bracket 150, anodised (not illustrated)	2	Pc.
8	3245-1134E	Bracket for fender with fasteners	2	Pc.

# Spare parts



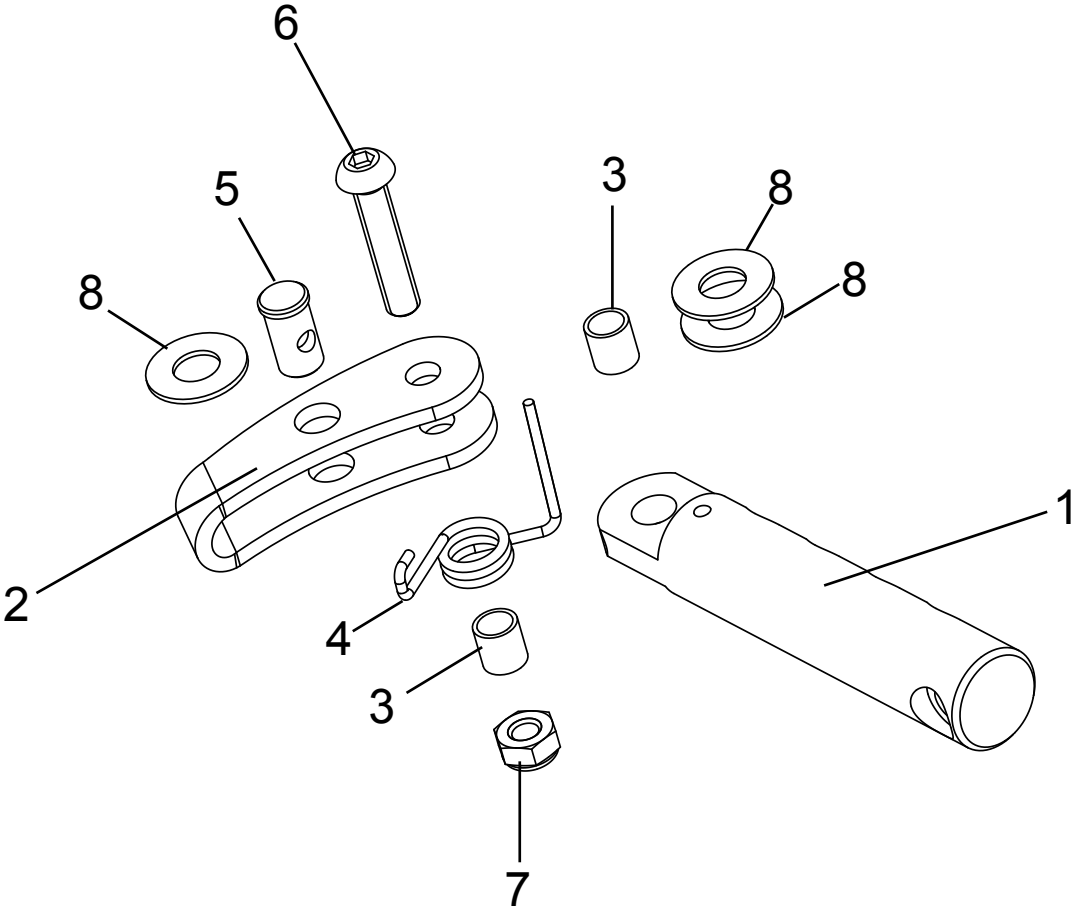
Pos	Article number	Article description	Quantity	Unit
<b>1-12</b>	<b>3240-1740E</b>	<b>Brake lever, left</b>	<b>1</b>	<b>Pc.</b>
	<b>3240-1750E</b>	<b>Brake lever, right</b>	<b>1</b>	<b>Pc.</b>
1	3240-1742-002	Brake lever, silver	1	Pc.
2	3251-1744	SBO rubber grip for brake lever	1	Pc.
3	3240-1743	Lever bearing	1	Pc.
4	1113-0048	Washer PA natural 16,5x32x1	2	Pc.
5	3240-1745	Cable support	1	Pc.
6	3240-1747	Cable roll	1	Pc.
7	1021-0512	Cylinder head screw zp DIN 912, M5x12	1	Pc.
8	1051-0005	Washer A5,3 zp DIN/ISO 125 A5,3	2	Pc.
9	3251-1741	Base plate brake lock lever, left	1	Pc.
	3251-1751	Base plate brake lock lever, right	1	Pc.
10	1063-0412	Blind rivet St/St DIN/ISO 7337 S4x12	2	Pc.
11	1024-0516	Hexagon socket countersunk head screw zp DIN/ISO 7991 M5x16	1	Pc.
12	1042-0005	Hexagon nut self-locking zp DIN/ISO 985 M5	1	Pc.

# Spare parts



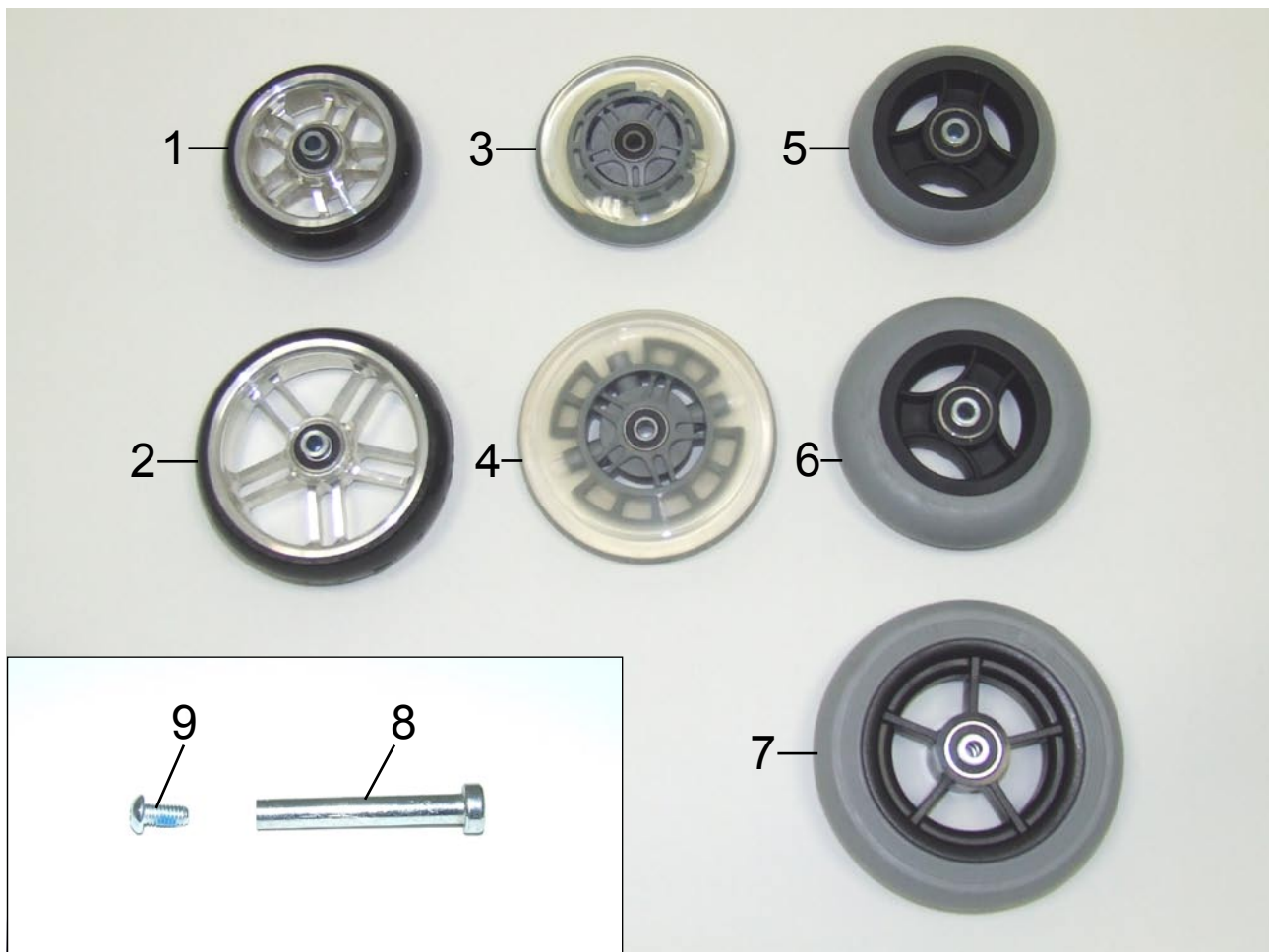
Pos	Article number	Article description	Quantity	Unit
1	1209-0025E	Brake cable	2	Pc.
2	3240-1710E	Brake, left	1	Pc.
	3240-1720E	Brake, right	1	Pc.
3	3251-1730E	Clamp 30-19, black, with screw	2	Pc.

# Spare parts

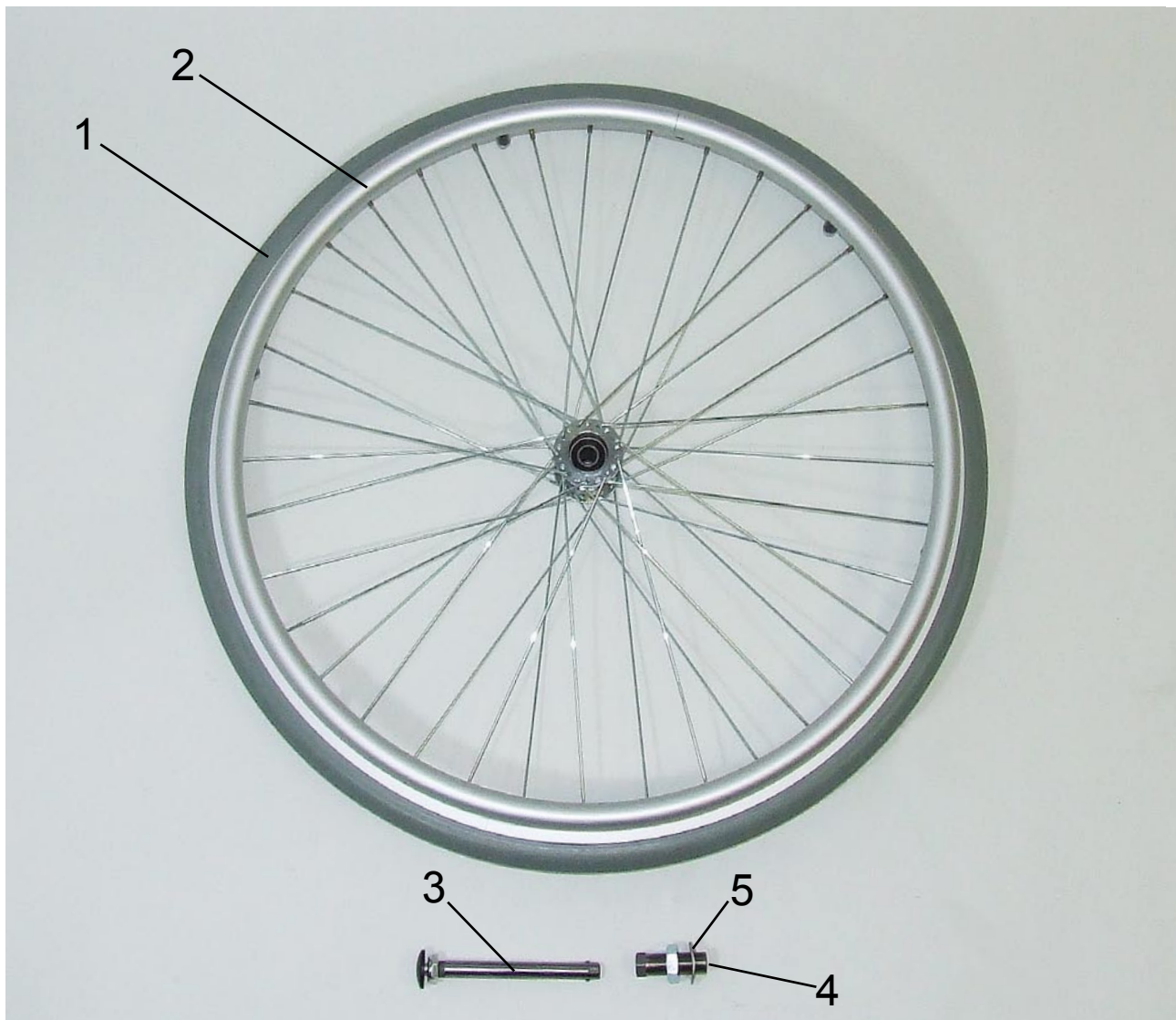


Pos	Article number	Article description	Quantity	Unit
<b>1-8</b>	<b>3240-1710E</b>	<b>Brake, left</b>	<b>1</b>	<b>Pc.</b>
	<b>3240-1720E</b>	<b>Brake, right</b>	<b>1</b>	<b>Pc.</b>
1	3240-1711-006	Brake lever bracket, anodised	1	Pc.
2	3240-1712-006	Brake lock lever, anodised	1	Pc.
3	1114-0055	Bushing 8x0,8x8,7	2	Pc.
4	3240-1761	Retaining spring, left	1	Pc.
	3240-1762	retaining spring, right	1	Pc.
5	1099-0014	Ball end cable holder 9/8x15,5 mm hole-4mm	1	Pc.
6	1029-0630	Button head socket screw zp DIN/ISO 7380 M6x30	1	Pc.
7	1042-0006	Hexagon nut self-locking zp DIN/ISO 985 M6	1	Pc.
8	1113-0003	Washer PA 18x8,4x1 black	3	Pc.

## Spare parts



Pos	Article number	Article description	Quantity	Unit
1	1221-0001	PU-front castor with design aluminium rim 100x32	2	Pc.
2	1221-0002	PU-wheels with aluminium design rim 125x32	2	Pc.
3	1249-0005	Skater wheels with illuminating 100x24	2	Pc.
4	1249-0006	Skater wheel with illuminating diode 125x24	2	Pc.
5	1250-0002	Front castor with solid rubber tires 100x32	2	Pc.
6	1250-0003	Front castor with solid rubber tires 125x32	2	Pc.
7	1250-1440	Front castor with solid rubber tires 140x40	2	Pc.
8	1205-0009	Wheel axle L54	2	Pc.
9	1029-6001	Button head socket screw, zp, Tufflock DIN/ISO 7380 M6x12	2	Pc.



Pos	Article number	Article description	Quantity	Unit
1+2	1211-0014	Pneumatic wheel 22"x1 Hoggi with alu rims	2	Pc.
	1211-0015	Pneumatic wheel 24"x1 Hoggi with alu rims	2	Pc.
	1221-0014	PU- wheel 22"x1 with alu hand rim	2	Pc.
	1221-0015	PU- wheel 24"x1 with alu hand rim	2	Pc.
2	1204-0029	Aluminum hand rim 22", anodised for „standard rear wheel“	2	Pc.
	1204-0030	Aluminum hand rim 24", anodised for „standard rear wheel“	2	Pc.
3	1205-0021	Quick release axle 12 x 104 mm button black	2	Pc.
4	1205-0023	Bushing M16x1 D12/50mm	2	Pc.
5	1052-0016	Spring washer B16 zp DIN/ISO 137 B16	2	Pc.

## Spare parts



Pos	Article number	Article description	Quantity	Unit
1-15		Standard rear wheel with drumbrake		
1	1219-0021	Pneumatic wheels drum brake 22x1" left, push rims alu	2	Pc.
	1219-0023	Pneumatic wheels drum brake 24x1" left, push rims alu	2	Pc.
	1229-0012	PU-wheel 22x1 drum brake left, push rims aluminium	2	Pc.
	1229-0014	PU-wheel 24x1 drum brake left, push rims aluminium	2	Pc.
2	1205-0026	Brake plate, black KTL-coated alu, left incl. adapter M16x1	1	Pc.
	1205-0027	Brake plate, black KTL-coated alu, right incl. adapter M16x1	1	Pc.
3	1205-0022	Quick release axle 12 x 108 mm stainless steel	2	Pc.
4	1052-0016	Spring washer B16 zp DIN/ISO 137 B16	2	Pc.
5	1209-0001	Bowden wire set 1,5m	1	Set
6	1205-0030	Brake adjuster M6x30 mm, with pinch bolt, galvanized steel	1	Pc.
7	1205-0029	Pinch bolt d8x15 mm, without slot	1	Pc.
8	1205-0015	Spacer bushing 25x16.2x15	2	Pc.
	1205-0016	Spacer bushing 25x16.2x20	2	Pc.
9	1209-0008	Brake lever 80° manually locking 22 mm (for push-bar)	2	Pc.
	1209-0026	Brake lever 36° manually locking 25 mm (for push-handle)	2	Pc.
10	1022-0855	Hexagon socket head cap screw zp DIN/ISO 7984 M8x55	2	Pc.
11	1205-0024-001	Braking armature support, left	1	Pc.
	1205-0025-001	Braking armature support, right	1	Pc.
12	1042-0008	Hexagon nut self-locking zp DIN/ISO 985 M8	2	Pc.
13	1042-0005	Hexagon nut self-locking zp DIN/ISO 985 M5	2	Pc.
14	1030-0518	Button head socket screw with flange zp M5x18	2	Pc.
15	1089-0004	Cable connector, black	2	Pc.

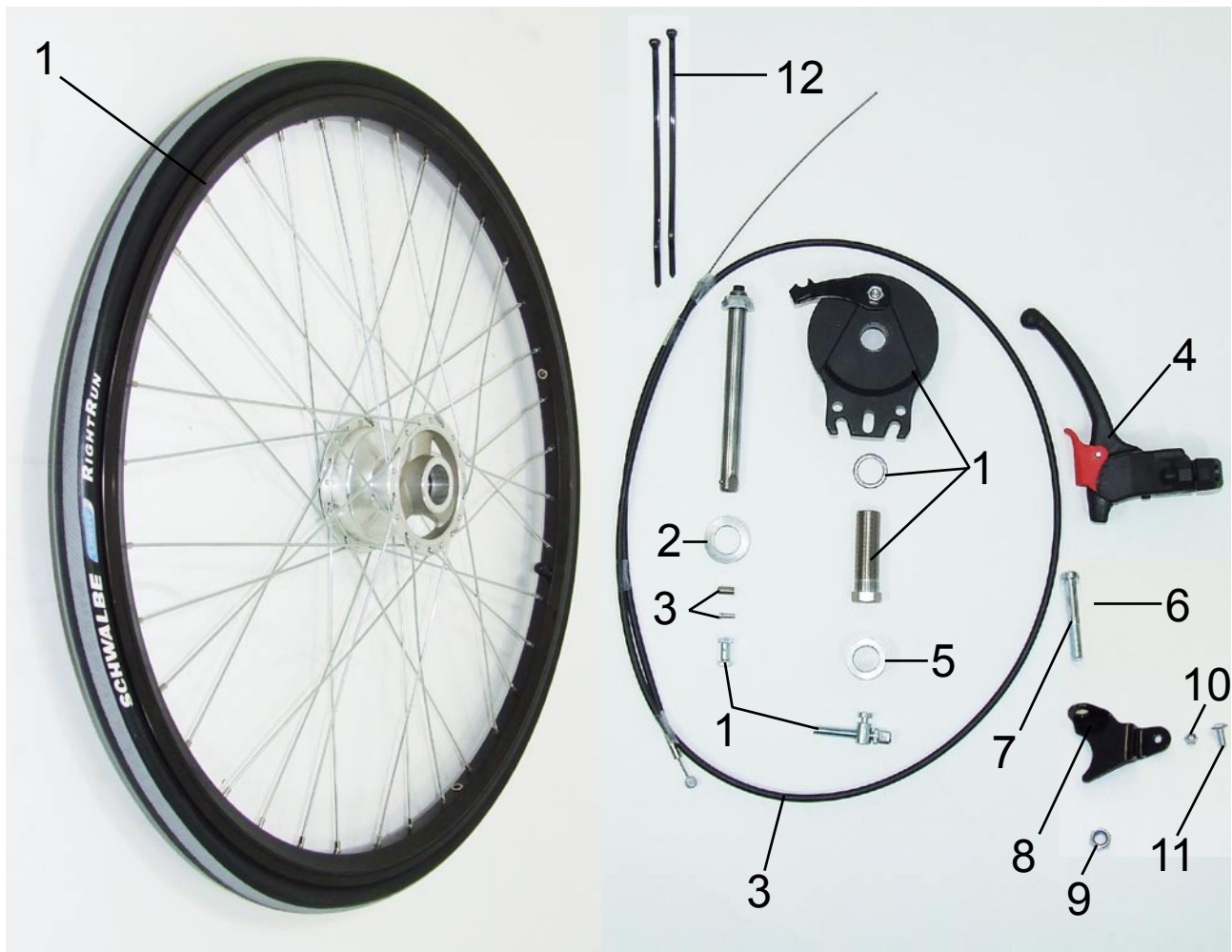




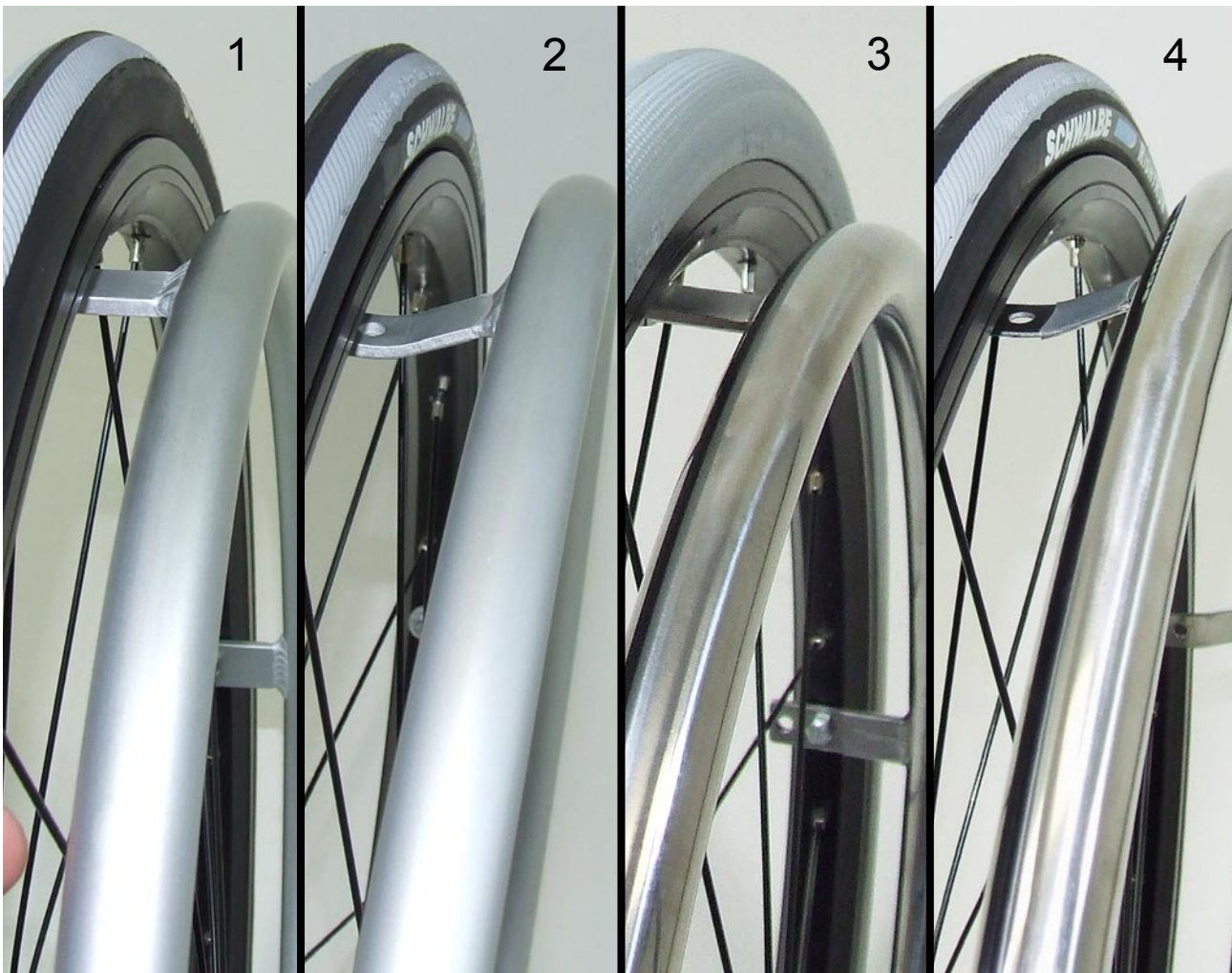
Pos	Article number	Article description	Quantity	Unit
1	1211-0007	Pneumatic wheel 20"x1 HOGGI light w/o push rims	2	Pc.
	1211-0008	Pneumatic wheel 22"x1 HOGGI light w/o push rims	2	Pc.
	1211-0009	Pneumatic wheel 24"x1 HOGGI light without push rims	2	Pc.
	1221-0009	Rear wheels with PU-tires 20"x1 3/8 HOGGI light w/o push rims	2	Pc.
	1221-0010	Rear wheels with PU-tires 22"x1 HOGGI light w/o push rims	2	Pc.
	1221-0011	Rear wheels with PU-tires 24"x1 HOGGI light w/o push rims	2	Pc.
2	1205-0010	Adapter with nut M16x1 for quick-release-axle 12/45 mm	2	Pc.
3	1205 -0014	Quick release axle 12 x 98 mm	2	Pc.
(not shown)	1201-0003	Tube for wheel 20x1	2	Pc.
	1201-0004	Tube for wheel 22x1	2	Pc.
	1201-0005	Tube for wheel 24x1	2	Pc.
(not shown)	1201-0006	Rim band 20"	2	Pc.
	1201-0007	Rim band 22"	2	Pc.
	1201-0008	Rim band 24"	2	Pc.
(not shown)	1200-0003	Tire for wheel 20x1" grey (Schwalbe Puncture Protection)	2	Pc.
	1200-0006	Tire for wheel 22x1" RightRun HS387 Light	2	Pc.
	1200-0007	Tire for wheel 24x1" RightRun HS387 Light	2	Pc.
(not shown)	1203-0005	PU-tire 20x1 3/8" grey	2	Pc.
	1203-0006	PU-tire 22x1" grey	2	Pc.
	1203-0007	PU-tire 24x1" grey	2	Pc.

(See push rims on page 35)

# Spare parts



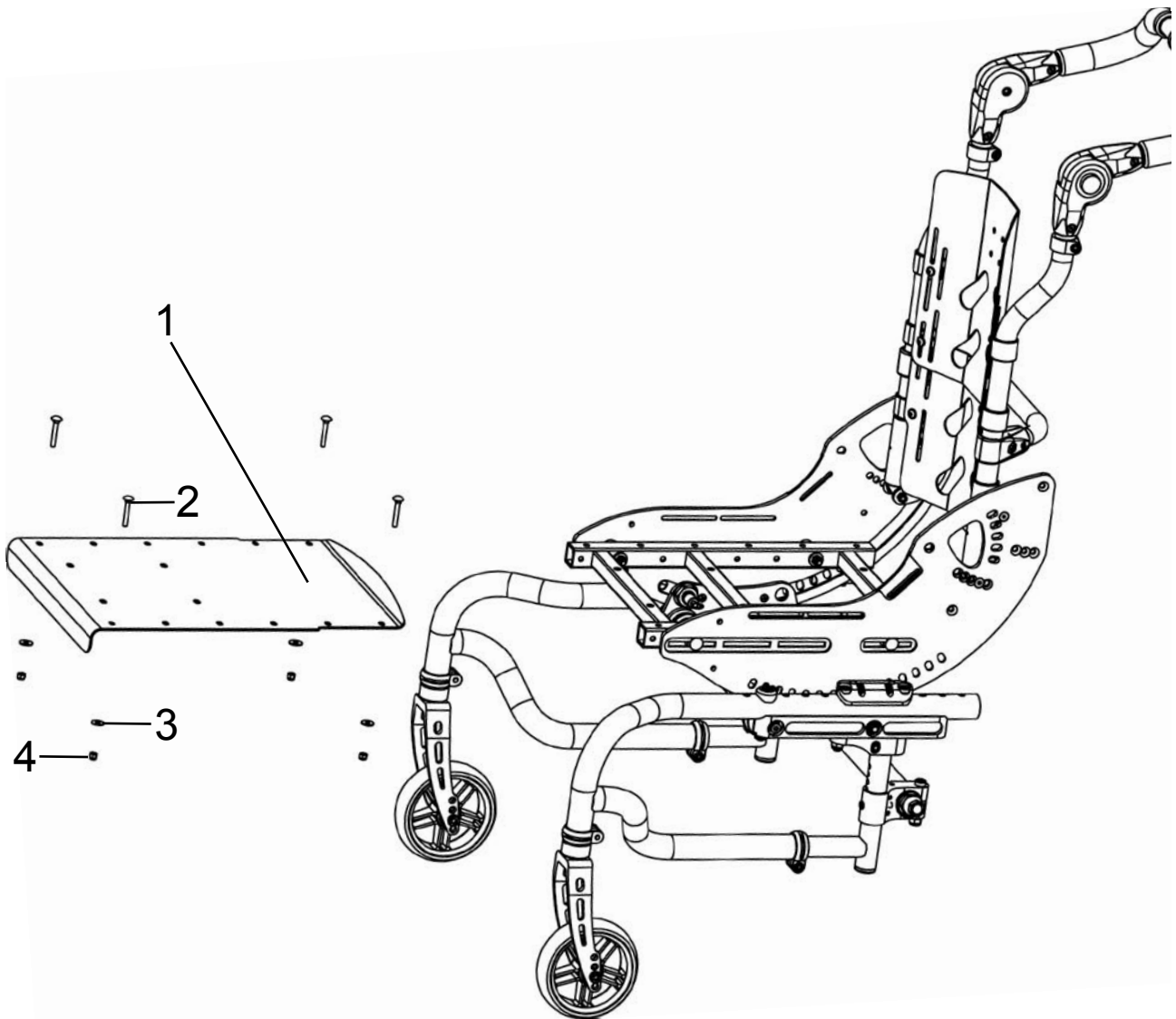
Pos	Article number	Article description	Quantity	Unit
1-12	1219-0013	Pneumatic wheel 20"x1 „HOGGI light“ with drumbrake, left, w/o push rim	1	Pc.
	1219-0014	Pneumatic wheel 20"x1 „HOGGI light“ with drumbrake, right w/o push rim	1	Pc.
	1219-0015	Pneumatic wheel 22"x1 „HOGGI light“ with drumbrake, left, w/o push rim	1	Pc.
	1219-0016	Pneumatic wheel 22"x1 „HOGGI light“ with drumbrake, right, w/o push rim	1	Pc.
	1219-0017	Pneumatic wheel 24"x1 „HOGGI light“ with drumbrake, left, w/o push rim	1	Pc.
	1219-0018	Pneumatic wheel 24"x1 „HOGGI light“ with drumbrake, right w/o push rim	1	Pc.
	1221-0003	PU-wheel 20"x1 3/8 „HOGGI light“ with drum brake, left, w/o push rim	1	Pc.
	1221-0004	PU-wheel 20"x1 3/8 „HOGGI light“ with drum brake, right, w/o push rim	1	Pc.
	1221-0005	PU-wheel 22"x1 3/8 „HOGGI light“ with drum brake, left, w/o push rim	1	Pc.
	1221-0006	PU-wheel 22"x1 3/8 „HOGGI light“ with drum brake, right, w/o push rim	1	Pc.
	1221-0007	PU-wheel 24"x1 3/8 „HOGGI light“ with drum brake, left, w/o push rim	1	Pc.
	1221-0008	PU-wheel 24"x1 3/8 „HOGGI light“ with drum brake, right, w/o push rim	1	Pc.
2	1052-0016	Spring washer B16 zp DIN/ISO 137 B16	2	Pc.
3	1209-0001	Bowden wire set 1,5 m	2	Pc.
4	1209-0008	Brake lever 80° manually locking 22 mm (for push-bar)	2	Pc.
	1209-0026	Brake lever 36° manually locking 25 mm (for push-handle)	2	Pc.
5	1205-00	Spacer bushing (camber 3°)	2	Pc.
	1205-0015	Spacer bushing 25x16.2x15 (camber 9°)	2	Pc.
	1205-0016	Spacer bushing 25x16.2x20 (camber 9°)	2	Pc.
7	1022-0855	Hexagon socket head cap screw zp DIN/ISO 7984 M8x55	2	Pc.
8	1205-0024-001	Braking armature support, left	1	Pc.
(not shown)	1205-0025-001	Braking armature support, right	1	Pc.
9	1042-0008	Hexagon nut self-locking zp DIN/ISO 985 M8	2	Pc.
10	1042-0005	Hexagon nut self-locking zp DIN/ISO 985 M5	2	Pc.
11	1030-0518	Button head socket screw with flange zp M5x18	2	Pc.
12	1089-0004	Cable connector, black	2	Pc.



Pos	Article number	Article description	Quantity	Unit
1	1204-0006	Aluminum hand rim 20", anodised - „standard“	2	Pc.
	1204-0007	Aluminum hand rim 22", anodised - „standard“	2	Pc.
	1204-0008	Aluminum hand rim 24", anodised - „standard“	2	Pc.
2	1204-0019	Aluminum hand rim 20", anodised - „large diameter“	2	Pc.
	1204-0020	Aluminum hand rim 22", anodised - „large diameter“	2	Pc.
	1204-0021	Aluminum hand rim 24", anodised - „large diameter“	2	Pc.
3	1204-0009	Stainless steel hand rim 20" - „standard“	2	Pc.
	1204-0010	Stainless steel hand rim 22" - „standard“	2	Pc.
	1204-0011	Stainless steel hand rim 24" - „standard“	2	Pc.
4	1204-0022	Stainless steel hand rim 20" - „high“	2	Pc.
	1204-0023	Stainless steel hand rim 22" - „high“	2	Pc.
	1204-0024	Stainless steel hand rim 24" - „high“	2	Pc.

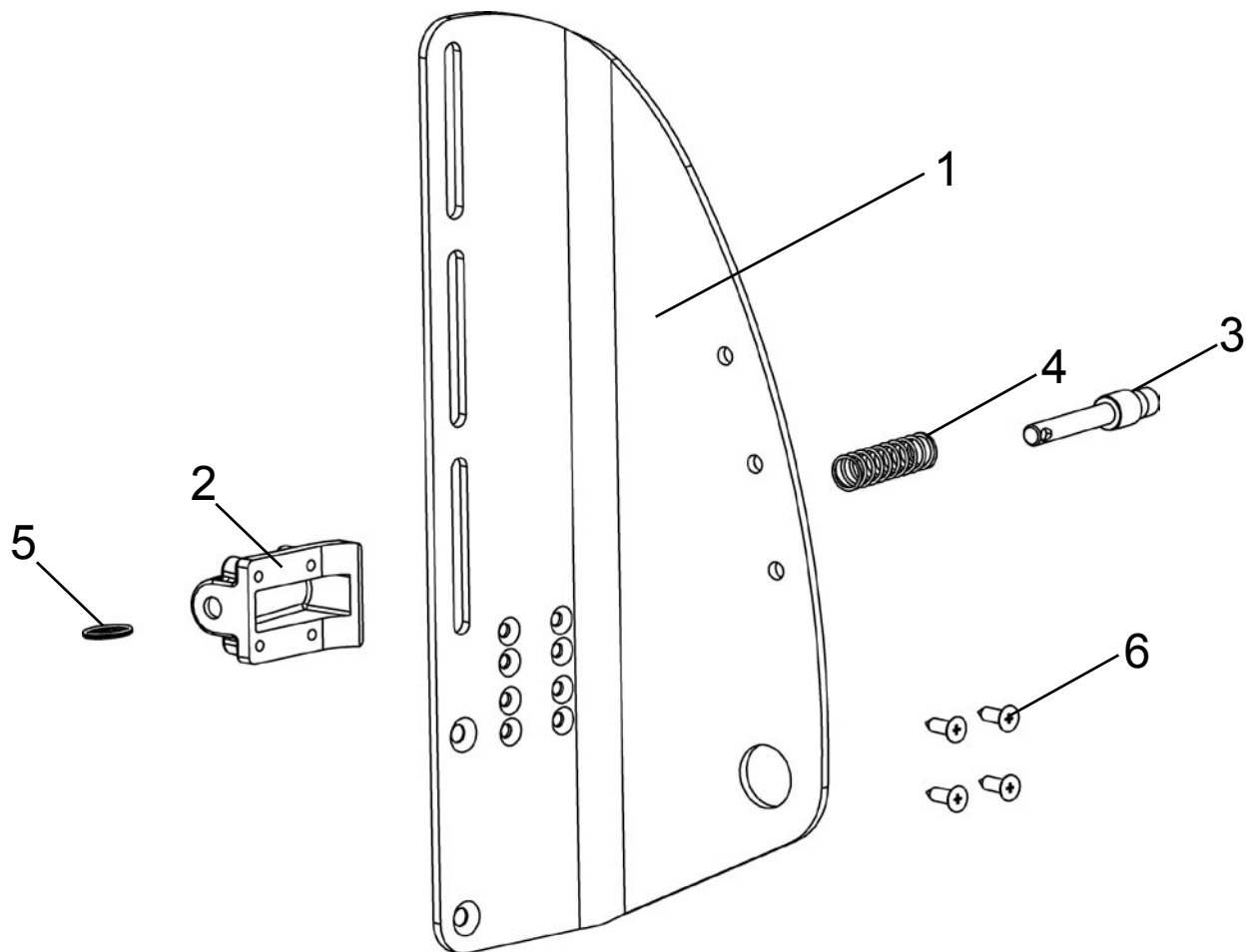
(Push rims 20" and 22" with 4 straps, push rims 24" with 6 straps)

# Spare parts



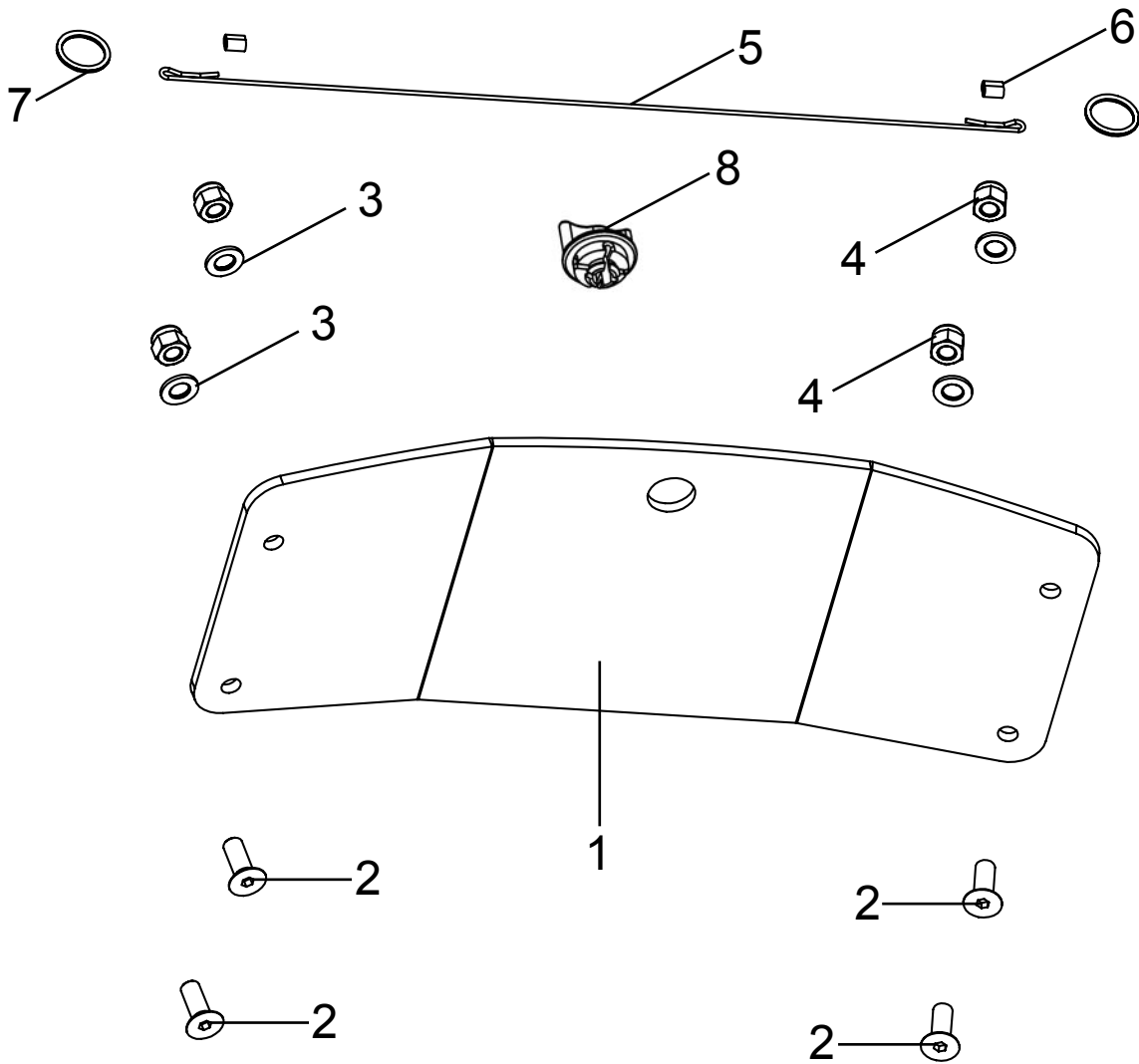
Pos	Article number	Article description	Quantity	Unit
<b>1-4</b>	<b>3245-25SBE-002</b>	<b>Seat pan, complete</b>	<b>1</b>	<b>Pc.</b>
1	3245-25SB-002	Seat pan	1	Pc.
2	1026-0535	Mushroom head square neck bolt zp DIN/ISO 603 M5x35	4	Pc.
3	1055-0005	Washer A5,3 zp DIN/ISO 9021 A5,3	4	Pc.
4	1042-0005	Hexagon nut self-locking zp DIN/ISO 985 M5	4	Pc.

## Spare parts for accessories



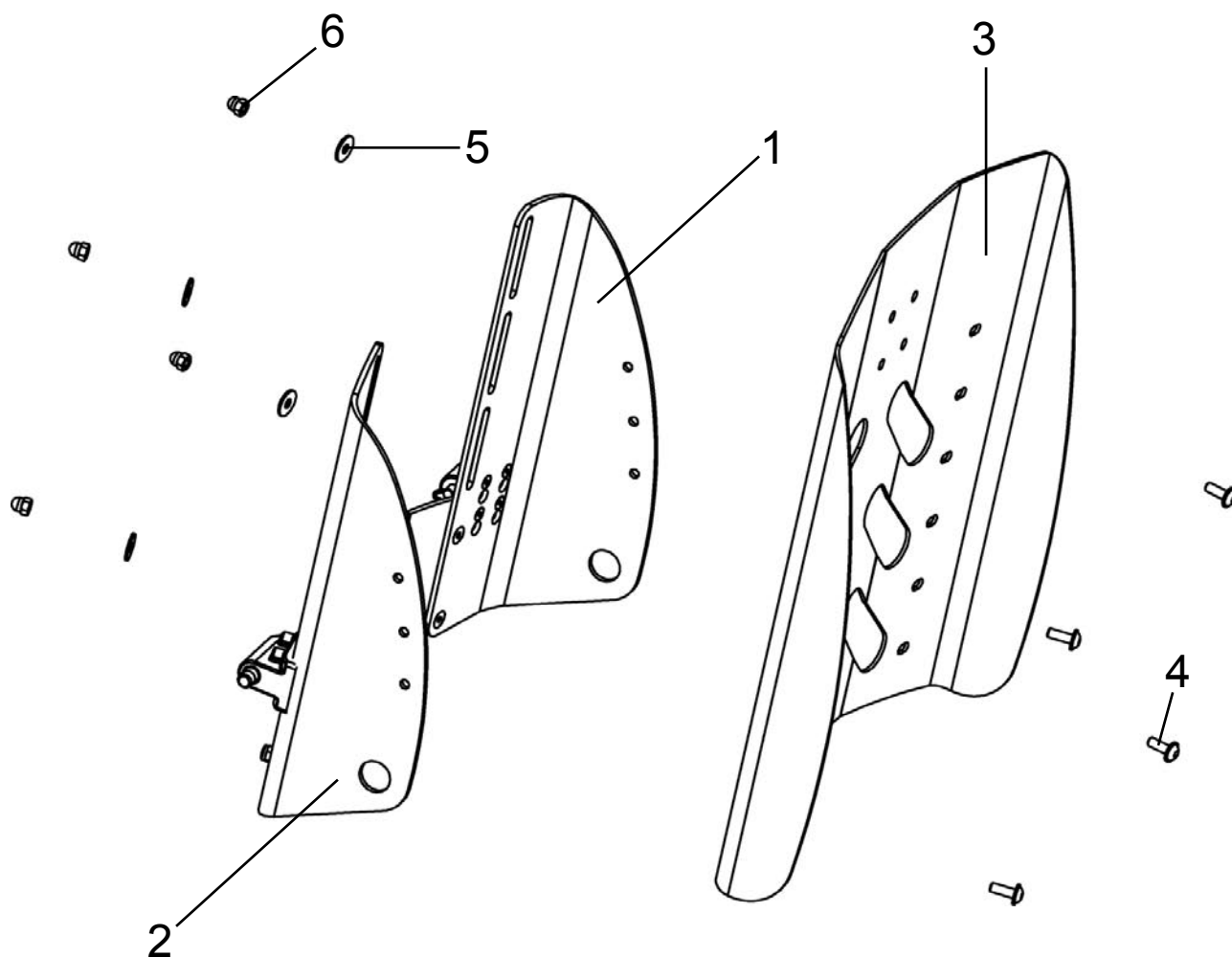
Pos	Article number	Article description	Quantity	Unit
<b>1-6</b>	<b>3245-2610E-002</b>	<b>Backrest base, left, complete</b>	<b>1</b>	<b>Pc.</b>
1	3245-2611-002	Backrest base, left	1	Pc.
<b>2-7</b>	<b>3245-2620E-002</b>	<b>Backrest base, right, complete</b>	<b>1</b>	<b>Pc.</b>
2	3240-2431	Locking bolt housing	1	Pc.
3	3240-2422	Locking bolt	1	Pc.
4	1131-0043	Compression spring D-143F, 0,9x9,50x35,00x8,5	1	Pc.
5	1129-0012	Key ring 24x1,5	1	Pc.
6	1039-0006	Tapping screw with countersunk head	4	Pc.
7 (not shown)	3245-2621E-002	Backrest base, right, complete	1	Pc.

# Spare parts for accessories



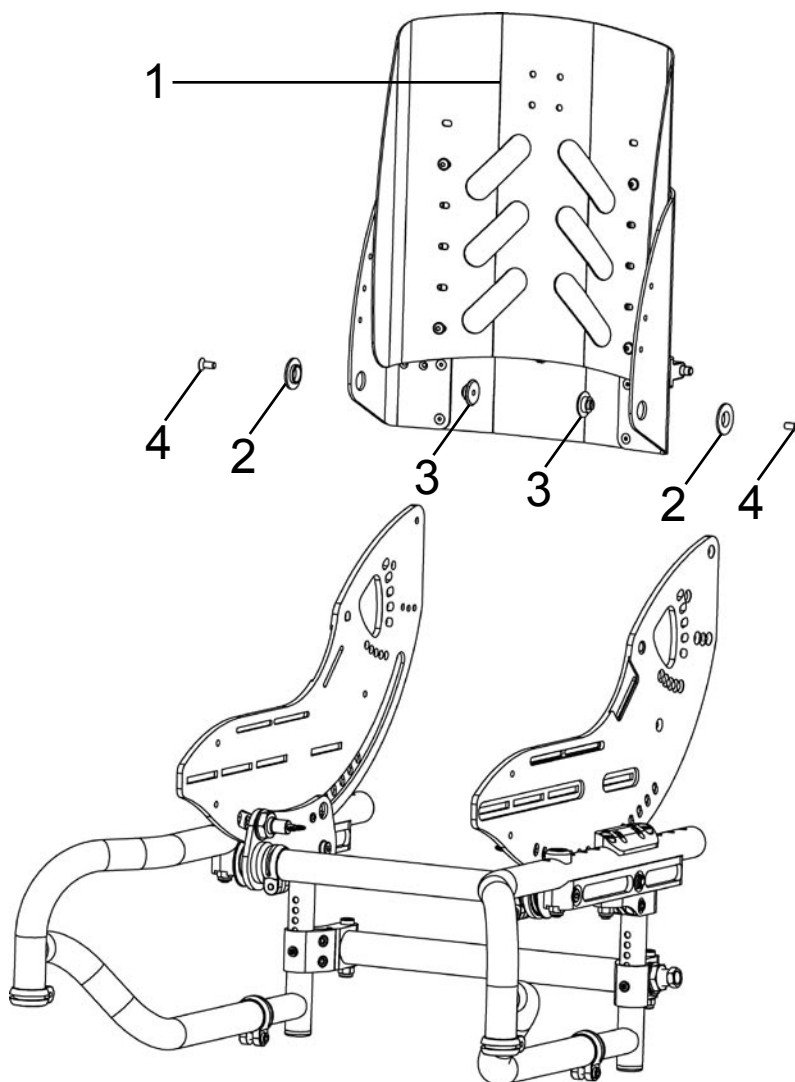
Pos	Article number	Article description	Quantity	Unit
<b>1-4</b>	<b>3245-27SBE-002</b>	<b>Cross member with fasteners</b>	<b>1</b>	<b>Pc.</b>
1	3245-27SB-002	Cross member	1	Pc.
2	1024-0514	Hexagon socket countersunk head screw zp DIN/ISO 7991 M5x14	4	Pc.
3	1051-0005	Washer A5,3 zp DIN/ISO 125 A5,3	4	Pc.
4	1042-0005	Hexagon nut self-locking zp DIN/ISO 985 M5	4	Pc.
5-8	3245-26SBE	Activating mechanism	1	Pc.

## Spare parts for accessories



Pos	Article number	Article description	Quantity	Unit
1	3245-2611-002	Backrest base, left	1	Pc.
2	3245-2621-002	Backrest base, right	1	Pc.
3	3245-283SB	Backrest base	1	Pc.
4	1030-0514	Button head socket screw with flange zp M5x14	4	Pc.
5	1055-0005	Washer A5,3 zp DIN/ISO 9021 A5,3	4	Pc.
6	1044-0005	Hexagonal domed cap nut self-locking zp DIN/ISO 986 M5	4	Pc.

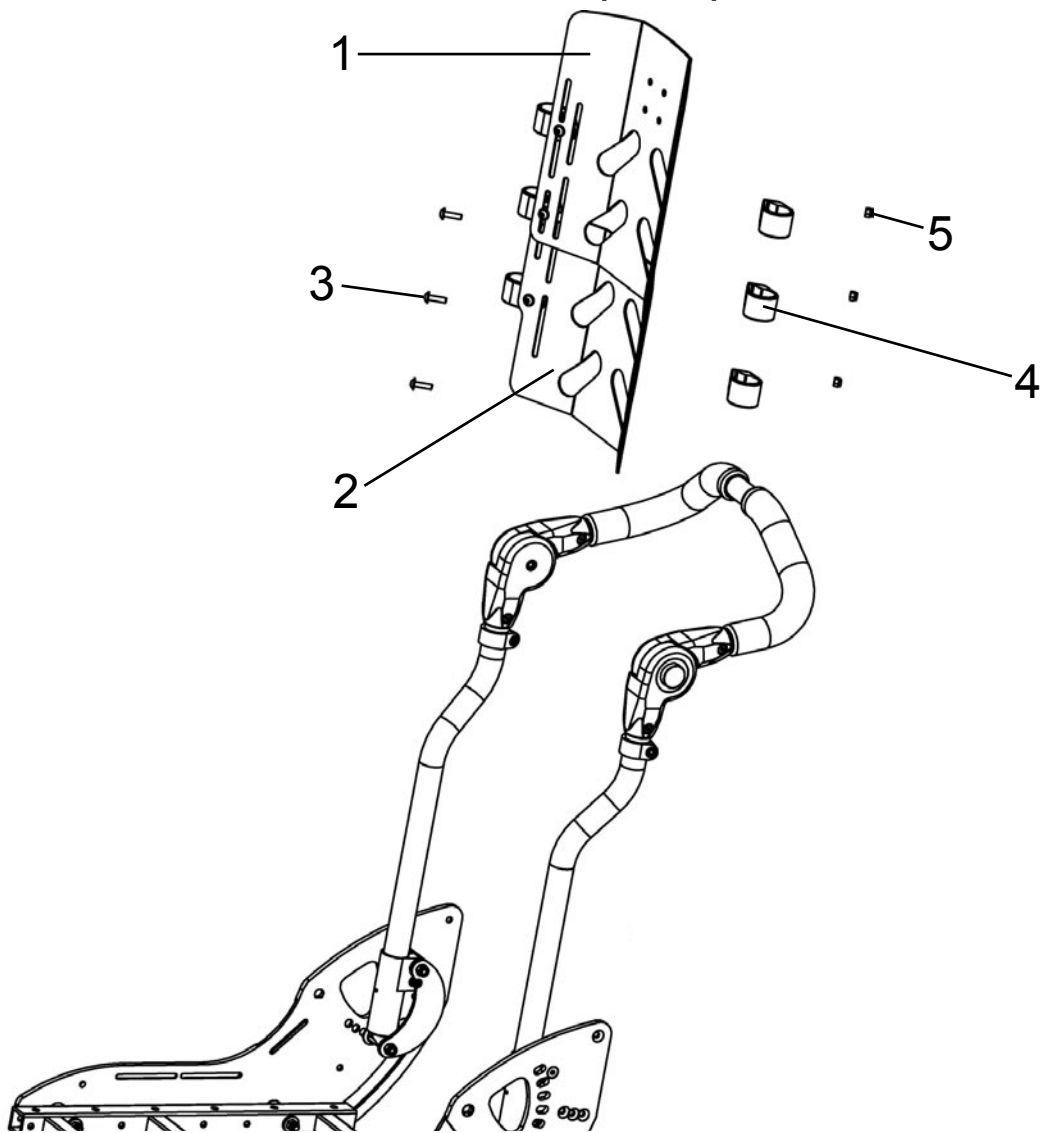
## Spare parts for accessories



Pos	Article number	Article description	Quantity	Unit
1	3245-283SB	Backrest pan	1	Pc.
2	3245-2613	Flange bushing	2	Pc.
3	3245-2614	Bearing shaft	2	Pc.
4	1024-0614	Hexagon socket countersunk head screw zp DIN/ISO 7991 M6x14	4	Pc.

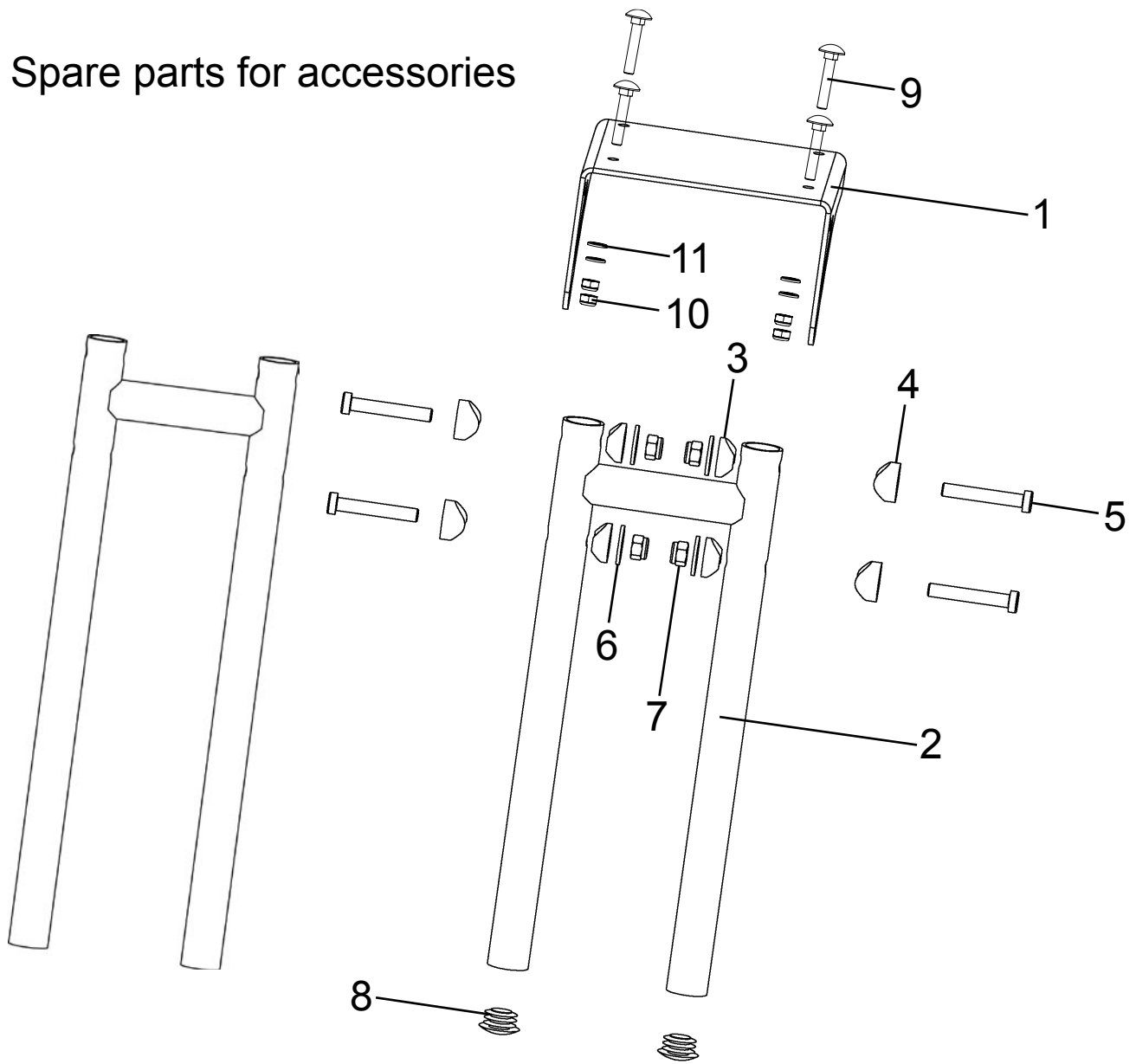


## Spare parts for accessories



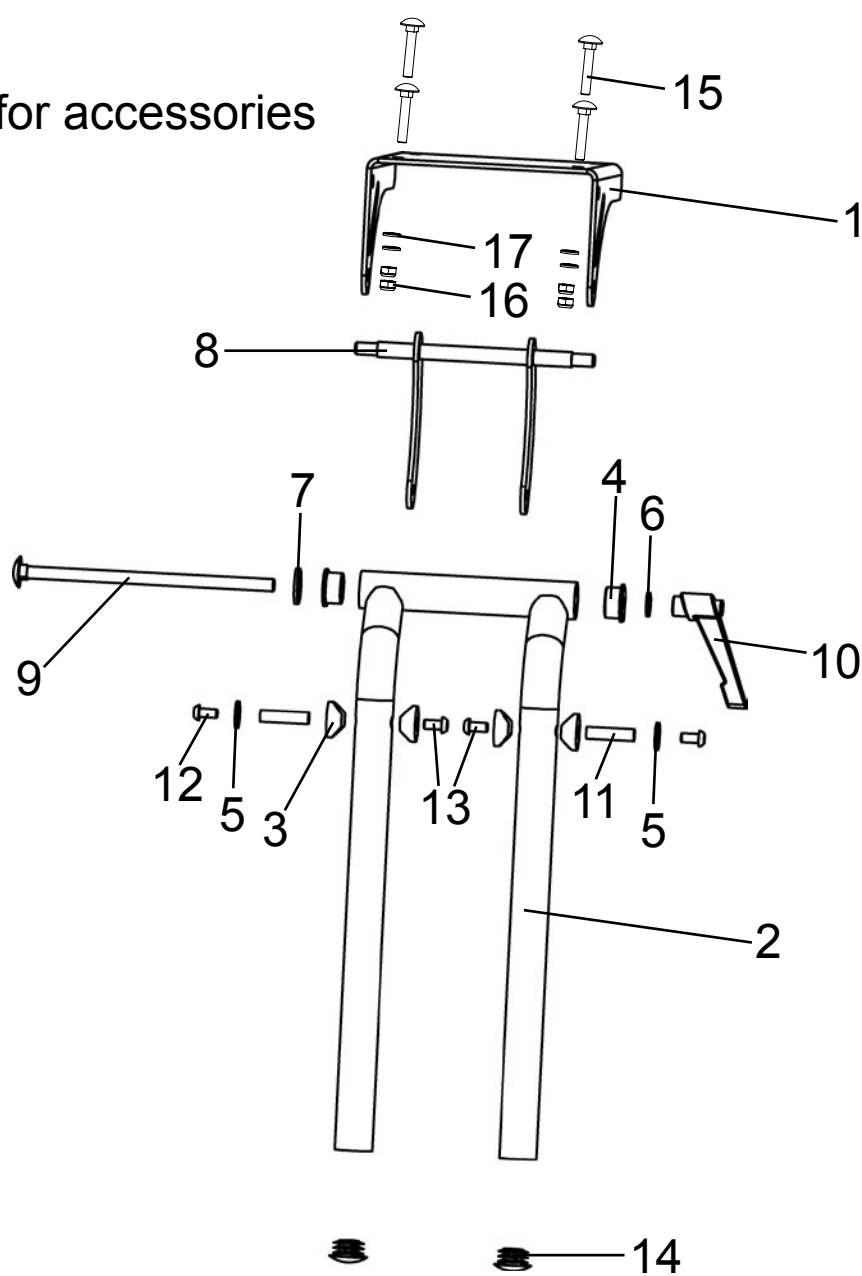
Pos	Article number	Article description	Quantity	Unit
<b>1-5</b>	<b>3245-32SBE-002</b>	<b>Backrest, trough shaped, two-parts, height adjustable</b>	<b>1</b>	<b>Pc.</b>
1	3245-34SB-002	Upper part backrest panel	1	Pc.
2	3245-33SB-002	Base backrest panel	1	Pc.
3	1030-0518	Button head socket screw with flange zp M5x18	6	Pc.
4	3245-3311	Gripper clamp	6	Pc.
5	1044-0005	Hexagonal domed cap nut self-locking zp DIN/ISO 986 M5	6	Pc.

# Spare parts for accessories



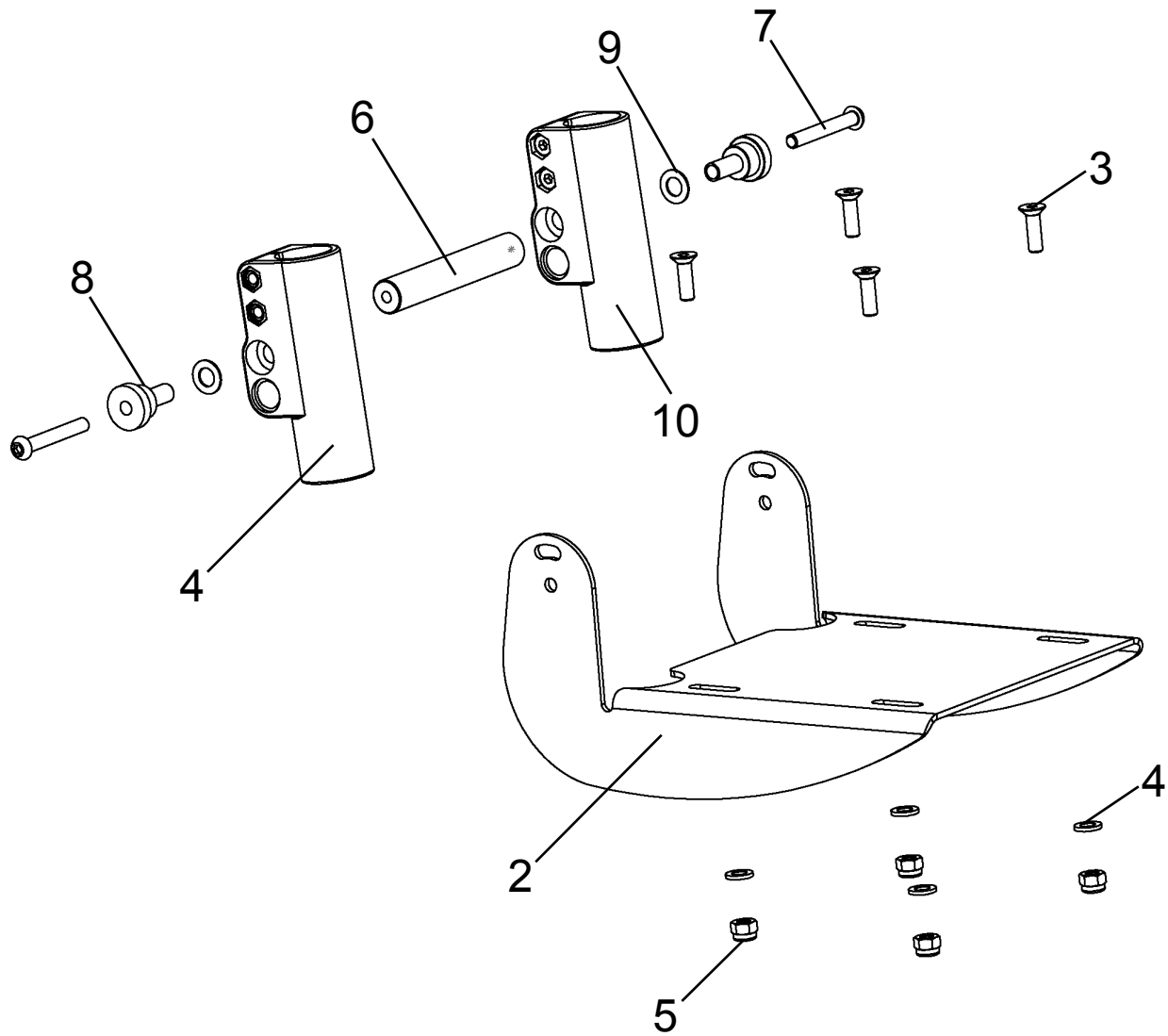
Pos	Article number	Article description	Quantity	Unit
<b>1-8</b>	<b>3245-4005E-002</b>	<b>Foot rest hanger 90°, lower leg length: short</b>	<b>1</b>	<b>Pc.</b>
	<b>3245-4006E-002</b>	<b>Foot rest hanger 90°, lower leg length: long</b>	<b>1</b>	<b>Pc.</b>
1	3245-4121-006	Console, anodised	1	Pc.
2	3245-4250-002	Footrest adapter short	1	Pc.
	3245-4260-002	Footrest adapter long	1	Pc.
3	1111-0012	Saddle washer PA black 24x8.4x3	4	Pc.
4	1111-0014	Saddle washer PA black 24x8.4x6	4	Pc.
5	1022-0850	Hexagon socket head cap screw zp DIN/ISO 7984 M8x50	4	Pc.
6	1051-0008	Washer A8,4 zp DIN/ISO 125 A8,4	4	Pc.
7	1042-0008	Hexagon nut self-locking zp DIN/ISO 985 M8	4	Pc.
8	1141-0009	Ribbed insert SFL 25x1-2,5	2	Pc.
9	1026-0625	Mushroom head square neck bolt zp DIN/ISO 603 M6x25	4	Pc.
10	1042-0006	Hexagon nut self-locking zp DIN/ISO 985 M6	4	Pc.
11	1051-0006	Washer A6,4 zp DIN/ISO 125 A6,4	4	Pc.

# Spare parts for accessories



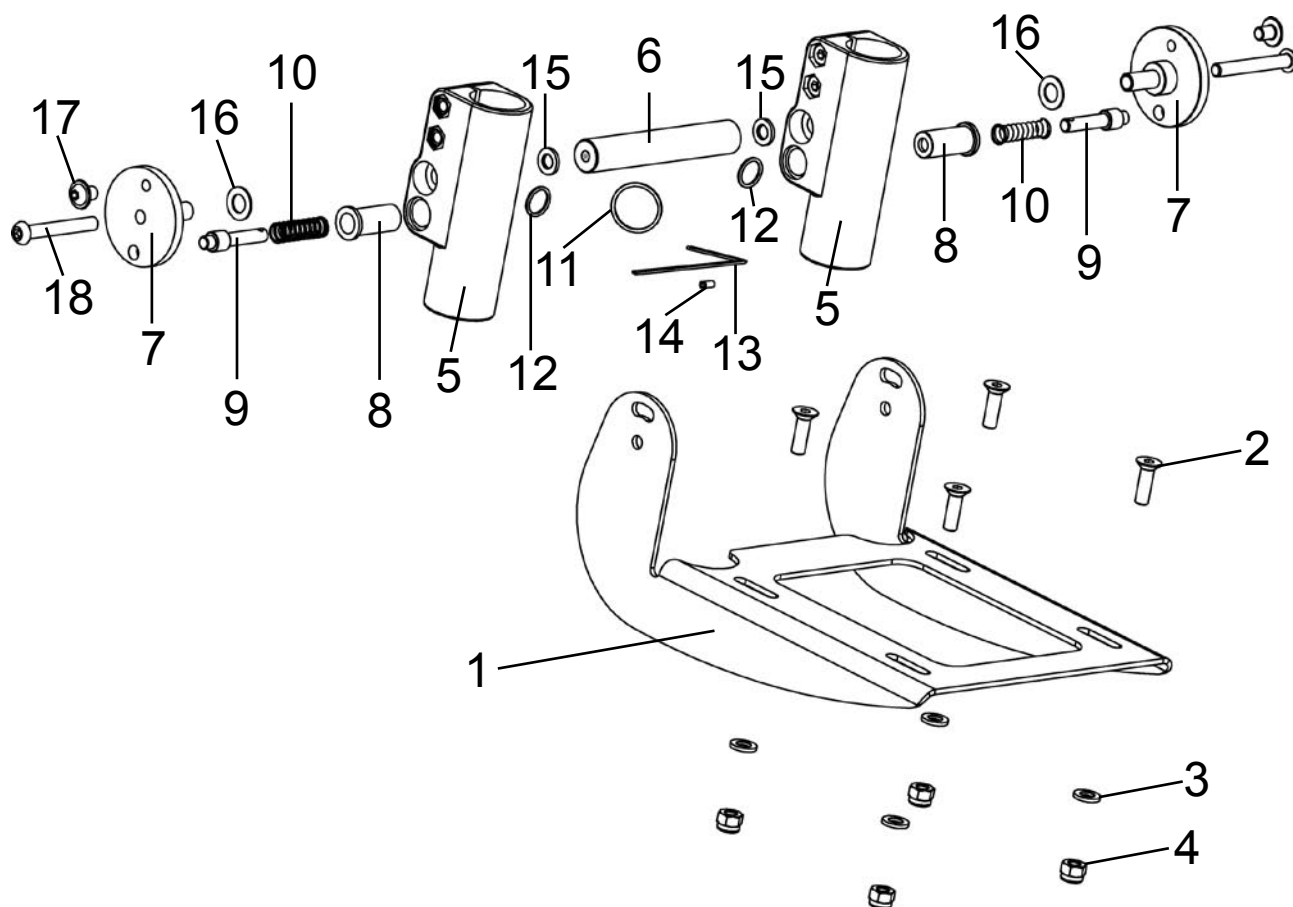
Pos	Article number	Article description	Quantity	Unit
<b>1-</b>	<b>3245-4007E-002</b>	<b>Foot rest hanger angle adjustable 85-160°, lower leg length: short</b>	<b>1</b>	<b>Pc.</b>
	<b>3245-4008E-002</b>	<b>Foot rest hanger angle adjustable 85-160°, lower leg length: long</b>	<b>1</b>	<b>Pc.</b>
1	3245-4121-006	Console, anodised	1	Pc.
2	3245-4270-002	Footrest adapter short	1	Pc.
	3245-4280-002	Footrest adapter long	1	Pc.
3	1111-0012	Saddle washer PA black 24x8.4x3	4	Pc.
4	3245-4151	Clamping bush	2	Pc.
5	1051-0006	Washer A6,4 zp DIN/ISO 125 A6,4	2	Pc.
6	1051-0008	Washer A8,4 zp DIN/ISO 125 A8,4	1	Pc.
7	1051-0010	Washer A10,5 zp DIN/ISO 125 A10,5	1	Pc.
8	3245-4140-008	Support brace, zined	1	Pc.
9	1026-0817	Mushroom head square neck bolt zp DIN/ISO 603 M8x170	1	Pc.
10	1121-0800	Locking lever PA black M8 DIN/ISO 603 M8	1	Pc.
11	1114-0027	Threaded bushing 8xM6x32	2	Pc.
12	1029-0612	Button head socket screw zp DIN/ISO 7380 M6x12	2	Pc.
13	1029-6001	Button head socket screw, zp, Tufflock DIN/ISO 7380 M6x12	2	Pc.
14	1141-0009	Ribbed insert SFL 25x1-2,5	2	Pc.
15	1026-0625	Mushroom head square neck bolt zp DIN/ISO 603 M6x25	4	Pc.
16	1042-0006	Hexagon nut self-locking zp DIN/ISO 985 M6	4	Pc.
17	1051-0006	Washer A6,4 zp DIN/ISO 125 A6,4	4	Pc.

# Spare parts for accessories



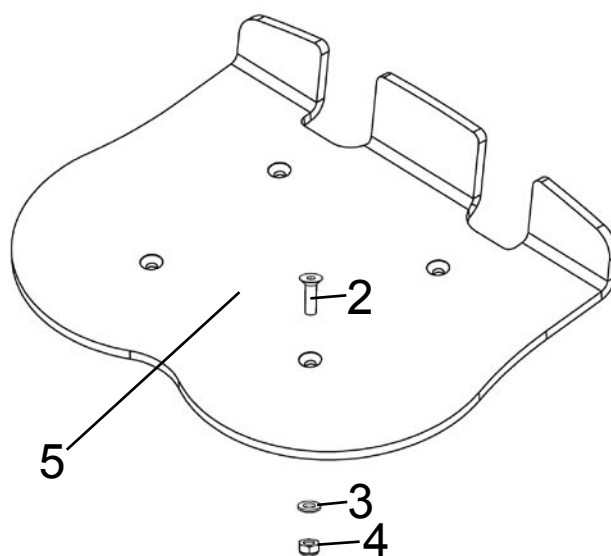
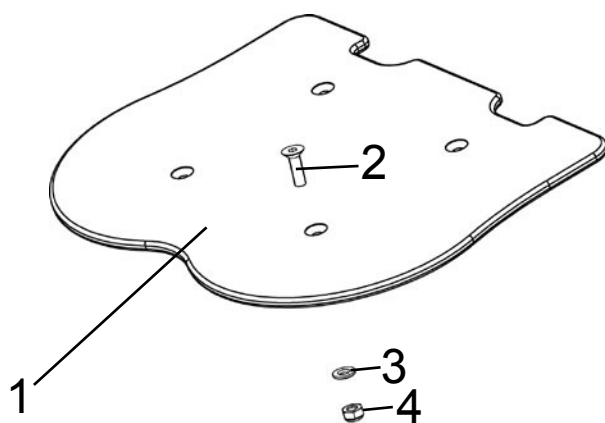
Pos	Article number	Article description	Quantity	Unit
<b>1-11</b>	<b>3245-4302E</b>	<b>Footrest bracket, angle adjustable, flip up type</b>	<b>1</b>	<b>Pc.</b>
1	3245-4321	Conductor	2	Pc.
2	3245-4311-002	Footrest bearing, silver	1	Pc.
3	1024-0620	Hexagon socket countersunk head screw zp DIN/ISO 7991 M6x20	4	Pc.
4	1051-0006	Washer A6,4 zp DIN/ISO 125 A6,4	8	Pc.
5	1042-0006	Hexagon nut self-locking zp DIN/ISO 985 M6	8	Pc.
6	3245-4323	Stabiliser	1	Pc.
7	1029-0645	Button head socket screw zp DIN/ISO 7380 M6x45	2	Pc.
8	3245-4322	Bushing	2	Pc.
9	1052-0008	Spring washer B8 zp DIN/ISO 137 B8	2	Pc.
10 not shown	1022-0625	Hexagon socket head cap screw zp DIN/ISO 7984 M6x25	4	Pc.
11 not shown	1042-0006	Hexagon nut self-locking zp DIN/ISO 985 M6	4	Pc.

## Spare parts for accessories



Pos	Article number	Article description	Quantity	Unit
<b>1-19</b>	<b>3245-4303E</b>	<b>Footrest bracket angle adjustable, with interlocking</b>	<b>1</b>	<b>Pc.</b>
1	3245-4312-002	Footrest bearing, silver	1	Pc.
2	1024-0620	Hexagon socket countersunk head screw zp DIN/ISO 7991 M6x20	4	Pc.
3	1051-0006	Washer A6,4 zp DIN/ISO 125 A6,4	4	Pc.
4	1042-0006	Hexagon nut self-locking zp DIN/ISO 985 M6	2	Pc.
6	3245-4323	Stabiliser	1	Pc.
7	3245-4341	Bearing	2	Pc.
8	3201-7520	Spring housing	2	Pc.
9	3201-7530	Lock pin	2	Pc.
10	1131-0036	Compression spring D-127d 0,8x8,3x29	2	Pc.
11	1129-0003	Key ring 24x1,5	1	Pc.
12	1129-0012	key ring 24x1,5	2	Pc.
13	1129-0011	Wire-rope	0,3	m
14	1089-0005	Cable clamp	1	Pc.
15	1051-0006	Washer A6,4 zp DIN/ISO 125 A6,4	2	Pc.
16	1052-0008	Spring washer B8 zp DIN/ISO 137 B8	2	Pc.
17	1030-0608	Button head socket screw with flange zp M6x8	2	Pc.
18	1029-0645	Button head socket screw zp DIN/ISO 7380 M6x45	2	Pc.
19 not shown	1022-0625	Hexagon socket head cap screw zp DIN/ISO 7984 M6x25	4	Pc.
20 not shown	1042-0006	Hexagon nut self-locking zp DIN/ISO 985 M6	4	Pc.

## Spare parts for accessories



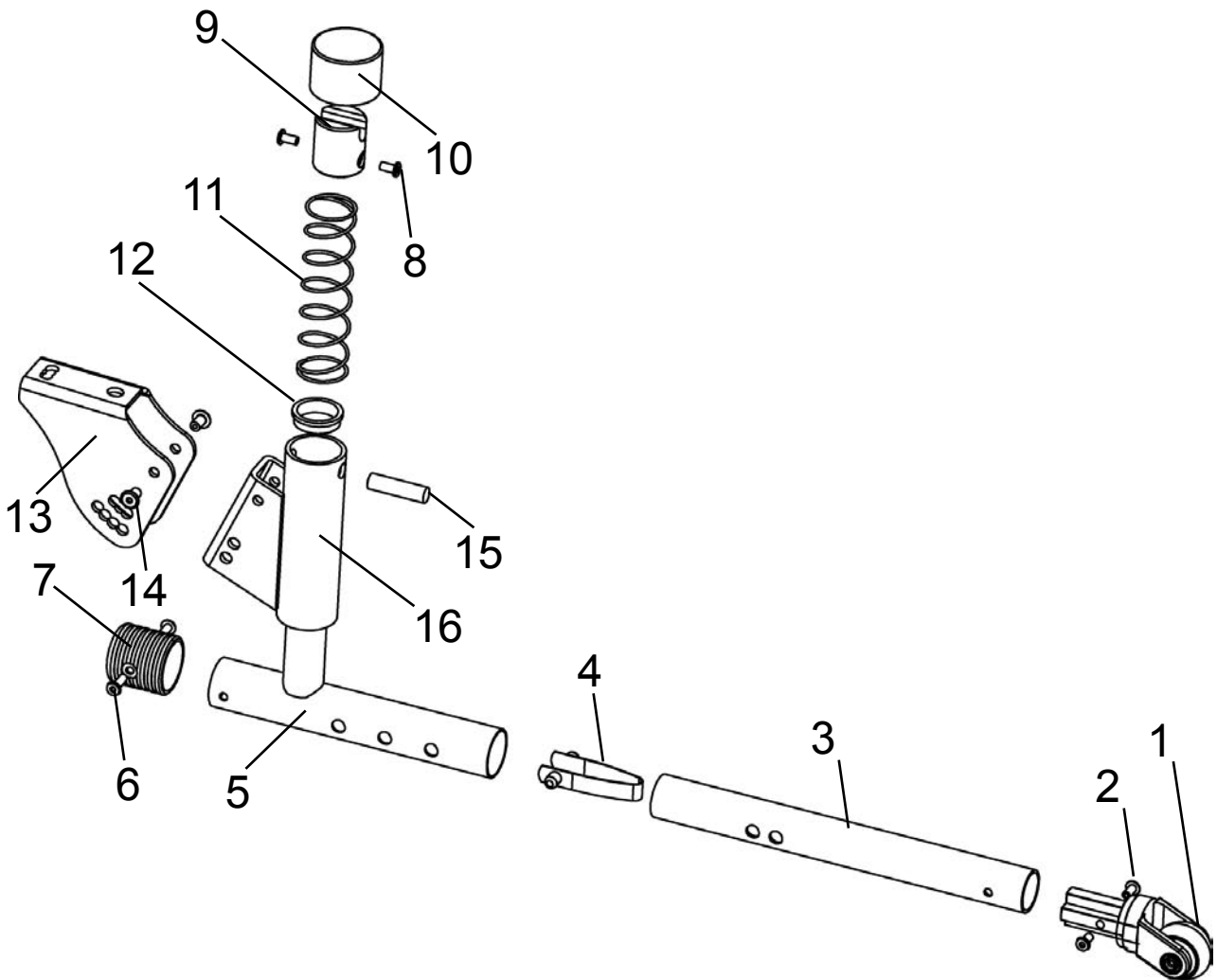
Pos	Article number	Article description	Quantity	Unit
<b>1-4</b>	<b>3245-44SB</b>	<b>Footrest with fasteners</b>	<b>1</b>	<b>Pc.</b>
<b>2-5</b>	<b>3245-45SB</b>	<b>Foot rest with heelstop and fasteners</b>	<b>1</b>	<b>Pc.</b>
1	3245-44SB	Foot rest	1	Pc.
2	1024-0620	Hexagon socket countersunk head screw zp DIN/ISO 7991 M6x20	4	Pc.
3	1051-0006	Washer A6,4 zp DIN/ISO 125 A6,4	4	Pc.
4	1042-0006	Hexagon nut self-locking zp DIN/ISO 985 M6	4	Pc.
5	3245-45SB	Foot rest with heel stop	4	Pc.

## Spare parts for accessories



Pos	Article number	Article description	Quantity	Unit
1	3245-71SB-306	SBO-PLUS seat cushion 3 cm thick	1	Pc.
2	3245-72SB-306	SBO-PLUS back cushion, trough-shaped, 2,5 cm thick	1	Pc.
3	3245-73SB-306	SBO-PLUS back cushion with side parts , 2,5 cm thick	1	Pc.
4	3245-7615-306	Sideparts upholstery for backrest	1	Pair

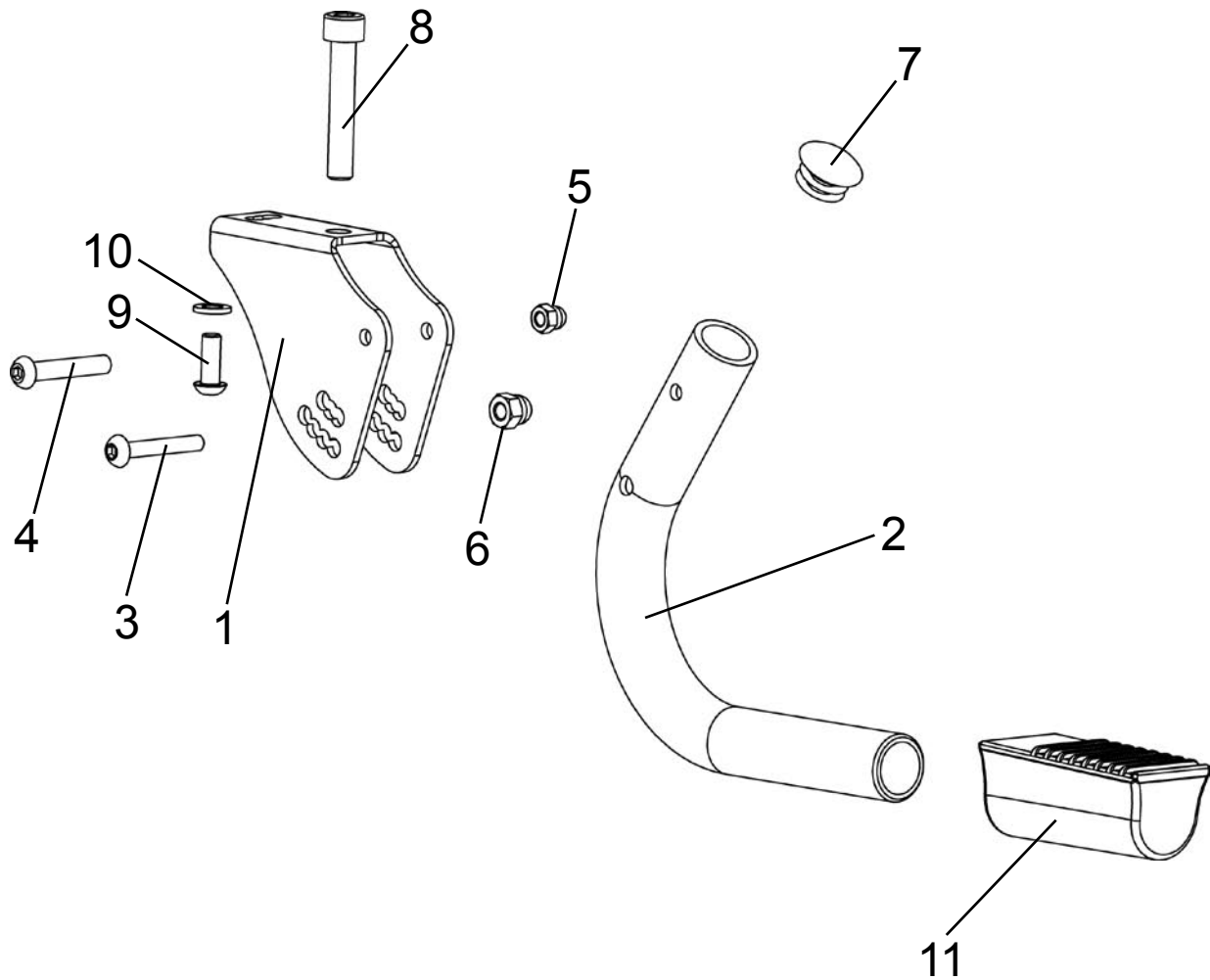
## Spare parts for accessories



Pos	Article number	Article description	Quantity	Unit
<b>1-17</b>	<b>3251-1801</b>	<b>Anti tip, swingaway, left</b>	<b>1</b>	<b>Pc.</b>
	<b>3251-1802</b>	<b>Anti tip, swingaway, right</b>	<b>1</b>	<b>Pc.</b>
1-4	3251-1851E-006	Anti tip (tube), complete	1	Pc.
1	1249-0002	Insert roll	1	Pc.
2	1062-0408	Blind rivet St/St DIN/ISO 7337 F4x8	4	Pc.
3	3251-1851-006	Anti tip (tube), anodised	1	Pc.
4	1134-0008	Snap button D-131	1	Pc.
5-9	3251-1845E-002	Dreharm, komplett	1	St.
5	3251-1845-002	Dreharm	1	St.
6	1062-0412	Blindniet F4x12	2	St.
7	3251-1847	Trittkappe	1	St.
8	1062-0408	Blindniet F4x8	4	St.
9	3251-1846	Gegenlager	1	St.
10	3251-1832	Schlusskappe	1	St.
11	1131-0063	Druckfeder D-206B	1	St.
12	3251-1831	Führungsbuchse	1	St.
13	3251-1811-001	Halter	1	St.
14	1062-0508	Blindniet F5x8	2	St.
15	1071-0830	Zylinderstift	1	St.
16	1022-0855	Zylinderschraube mit ISK verzinkt, niedriger Kopf M8 x 55 (o. Abb.)	1	St.
17	1042-0008	Sechskantmutter selbstsichernd verz DIN/ISO 985 M8 (o. Abb.)	1	St.

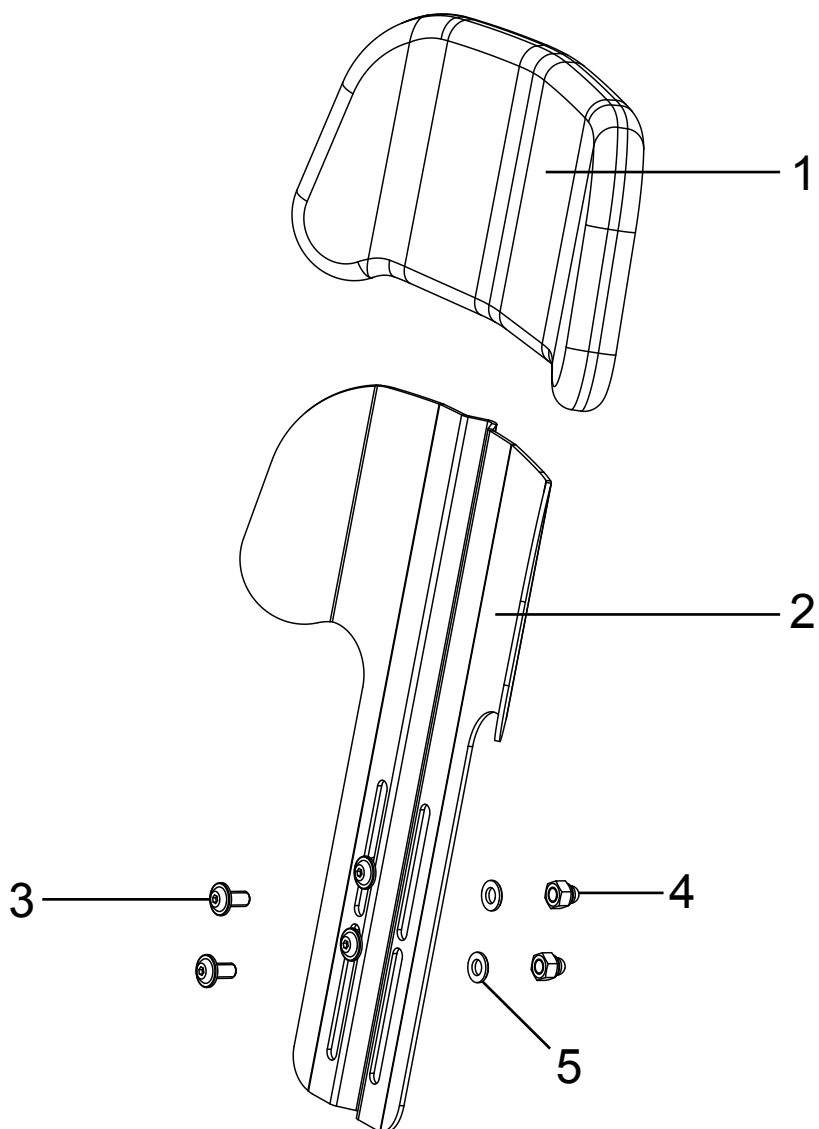


## Spare parts for accessories



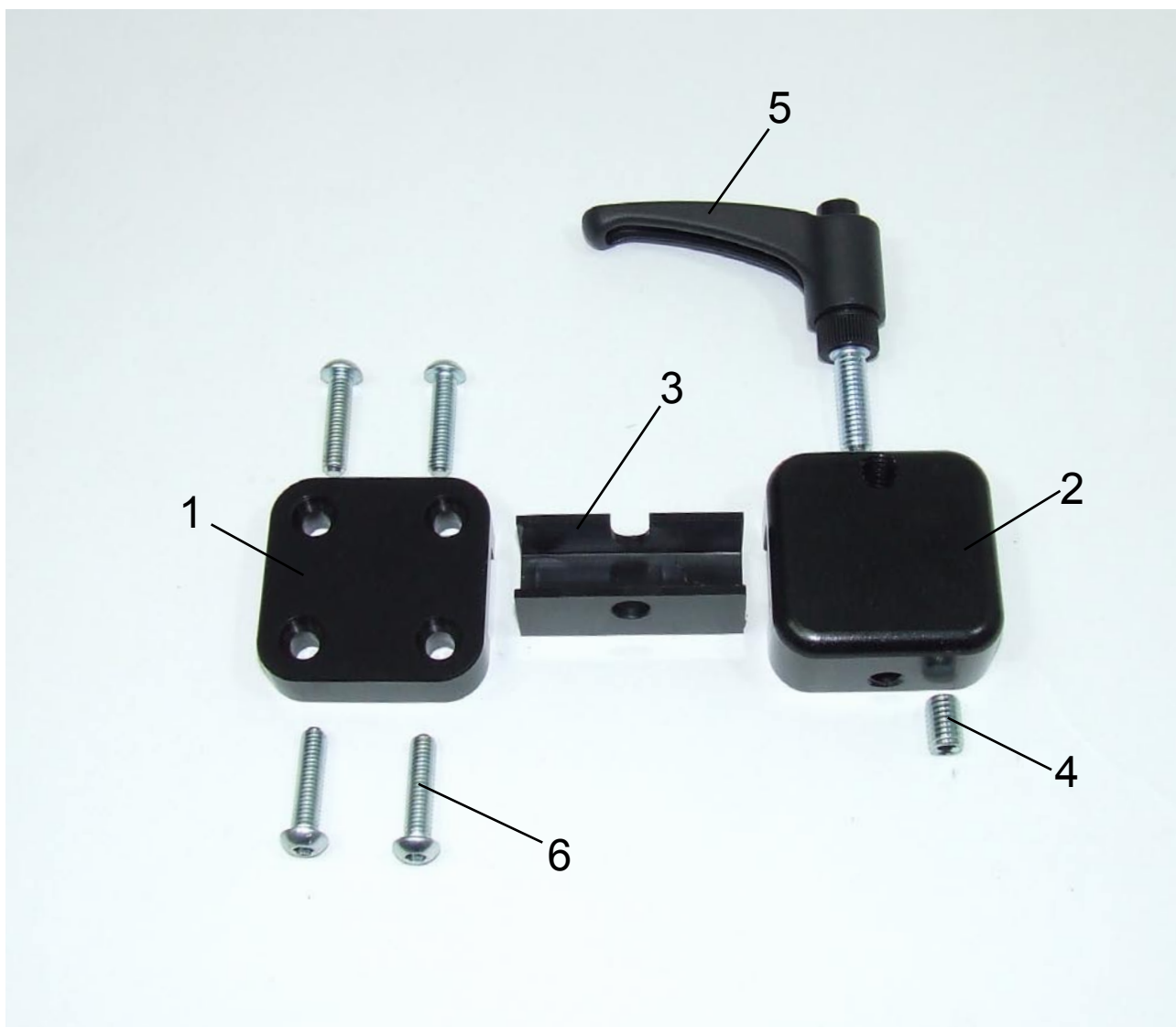
Pos	Article number	Article description	Quantity	Unit
<b>1-12</b>	<b>3251-1901</b>	<b>Tipp assist, left</b>	<b>1</b>	<b>Pc.</b>
	<b>3251-1902</b>	<b>Tipp assist, right</b>	<b>1</b>	<b>Pc.</b>
1	3251-1811-001	Retainer	1	Pc.
2	3251-1910-002	Tube bar for anti-tip	1	Pc.
3	1029-0535	Button head socket screw zp DIN/ISO 7380 M5x35	1	Pc.
4	1029-0635	Button head socket screw zp DIN/ISO 7380 M6x35	1	Pc.
5	1044-0005	Hexagonal domed cap nut self-locking zp DIN/ISO 986 M5	1	Pc.
6	1044-0006	Hexagonal domed cap nut self-locking zp DIN/ISO 986 M6	1	Pc.
7	1141-0008	Ribbed insert SFL 22x0,8-3,0	1	Pc.
8	1022-0855	Hexagon socket head cap screw zp DIN/ISO 7984 M8x55	1	Pc.
9	1029-0616	Button head socket screw zp DIN/ISO 7380 M6x16	1	Pc.
10	1051-0068	Washer 6,4	1	Pc.
11	7000-0068	Pedal D22 72 x 33mm	1	Pc.
12	1042-0008	Hexagon nut self-locking zp DIN/ISO 985 M8	1	Pc.

## Spare parts for accessories



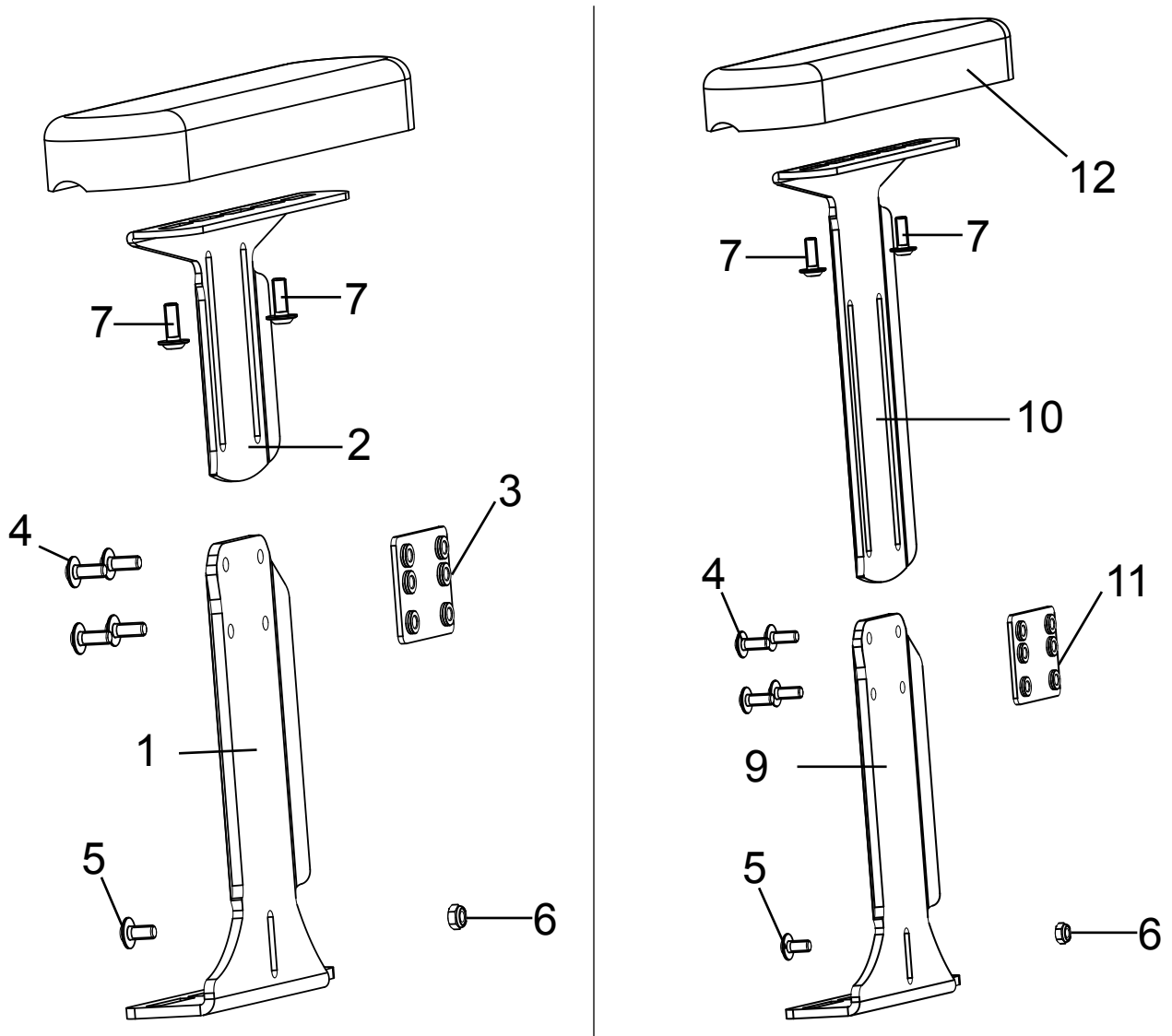
Pos	Article number	Article description	Quantity	Unit
<b>1-5</b>	<b>3243-7603</b>	<b>Head support standard with upholstery, up from SW 28 - 34</b>	<b>1</b>	<b>Pc.</b>
1	3243-7640-306	Head cushion size 3	1	Pc.
2	3243-7613-002	Head rest panel size 3, SW 28 - 34, silver	1	Pc.
3	1030-0614	Button head socket screw with flange zp M6x14	4	Pc.
4	1044-0006	Hexagonal domed cap nut self-locking zp DIN/ISO 986 M6	4	Pc.
5	1051-0006	Washer A6,4 zp DIN/ISO 125 A6,4	4	Pc.

## Spare parts for accessories



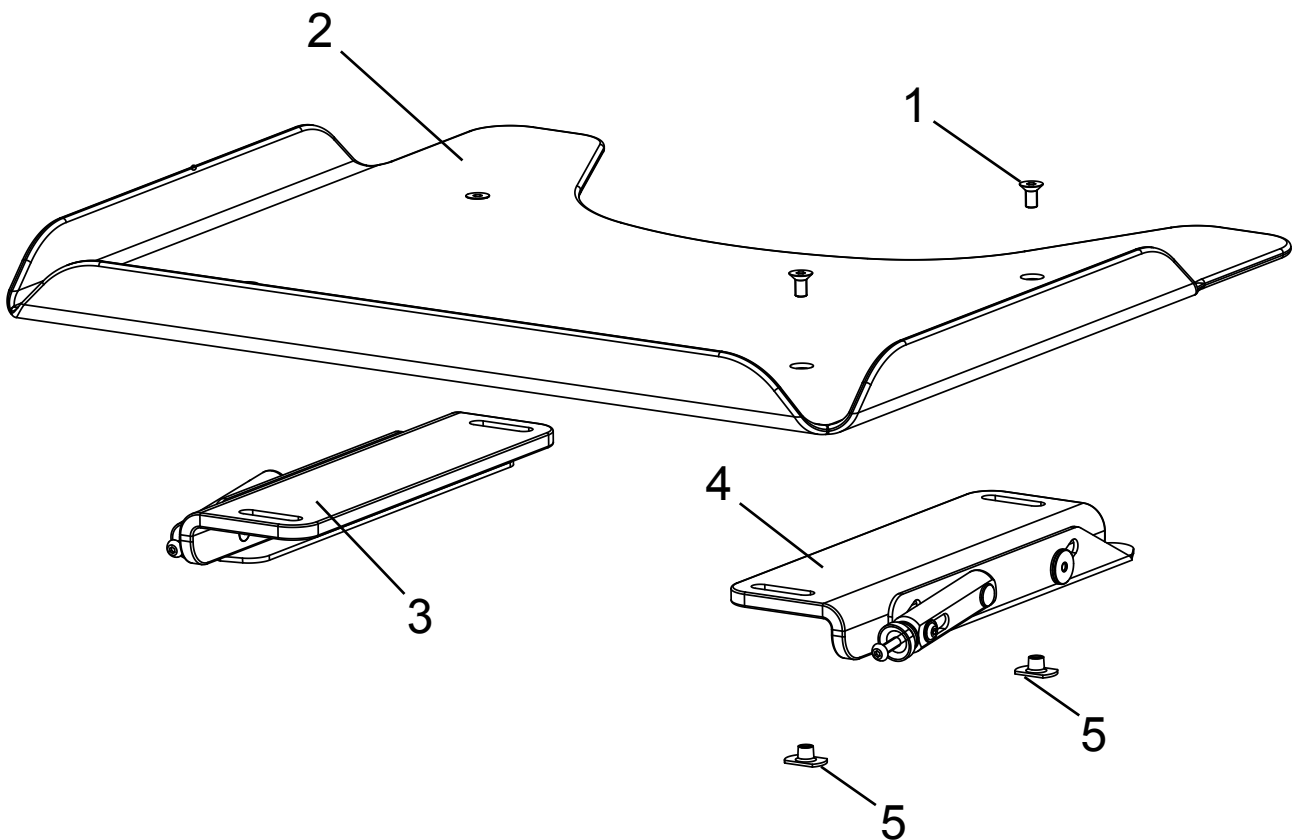
Pos	Article number	Article description	Quantity	Unit
<b>1-6</b>	<b>3201-3830</b>	<b>Universal headrest bracket</b>	<b>1</b>	<b>Pc.</b>
1	3201-3831	Clamp bottom part	1	Pc.
2	3201-3832	Clamp upper part	1	Pc.
3	3201-3833	Reducing piece	1	Pc.
4	1031-0812	Hexagon socket set screw zp DIN/ISO 913 M8x12	1	Pc.
5	1121-0825	Locking lever PA black M8x25	1	Pc.
6	1029-0640	Button head socket screw zp DIN/ISO 7380 M6x40	4	Pc.

# Spare parts for accessories



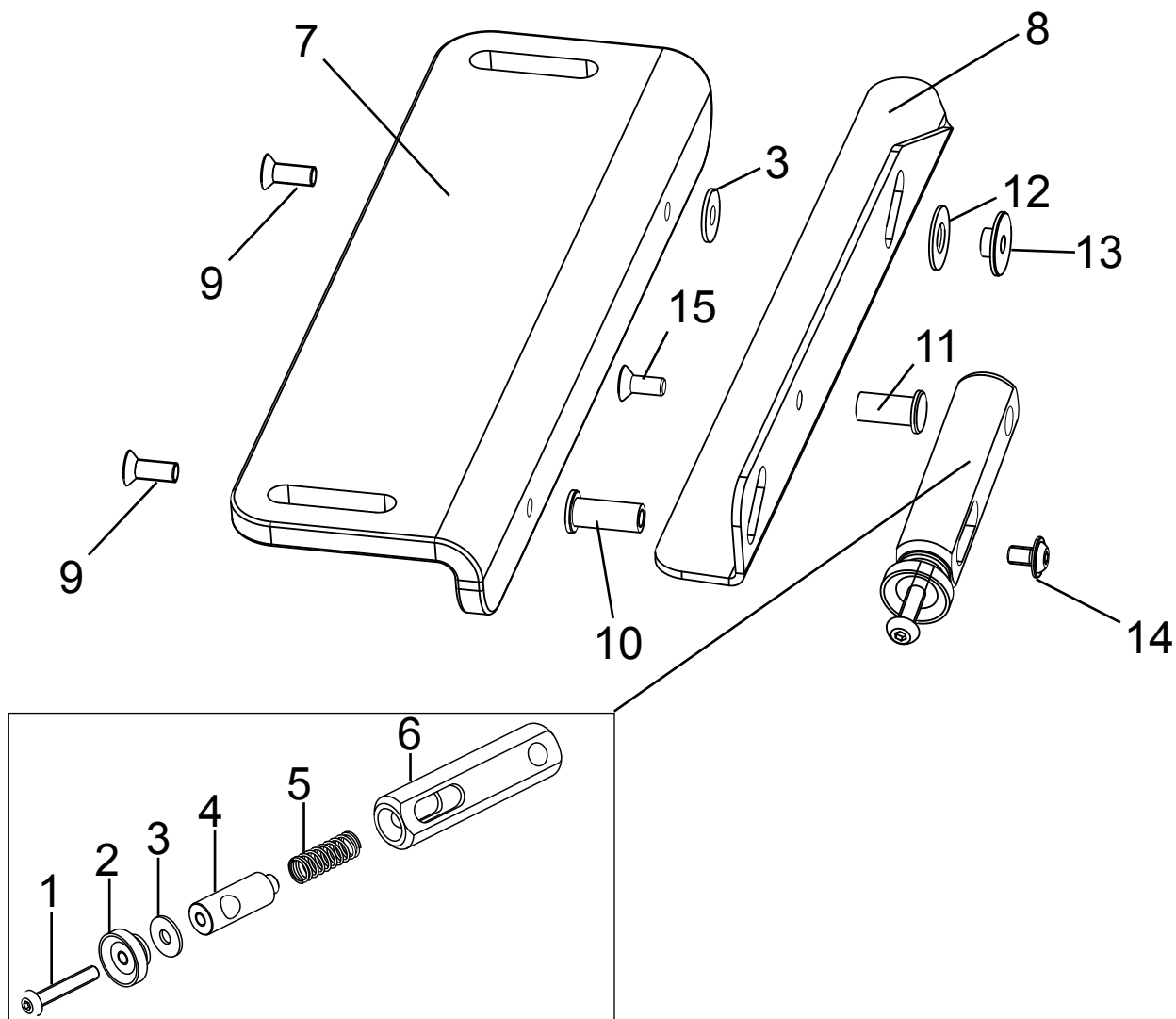
Pos	Article number	Article description	Quantity	Unit
<b>1-7</b>	<b>3245-6201E</b>	<b>Armrest, right size 1 (height: 21-25,5 cm)</b>	<b>1</b>	<b>Pc.</b>
	<b>3245-6502E</b>	<b>Armrest, left size 1 (height: 21-25,5 cm)</b>	<b>1</b>	<b>Pc.</b>
1	3240-6520-015	Armrest base right size 3	1	Pc.
	3240-6510-015	Armrest base left size 3	1	Pc.
2	3240-6341-015	Armrest bracket right size 2	1	Pc.
	3240-6331-015	Armrest bracket left size 2	1	Pc.
3	3240-6512-015	Clamping plate size 2/3	1	Pc.
4	1030-0512	Button head socket screw with flange zp M5x12	4	Pc.
5	1030-0510	Button head socket screw with flange zp M5x10	1	Pc.
6	1042-0005	Hexagon nut self-locking zp DIN/ISO 985 M5	1	Pc.
7	1030-0514	button head socket screw with flange zp M5x14	2	Pc.
<b>9-11, 4-7</b>	<b>3245-6301E</b>	<b>Armrest, right size 2 (height: 26-34,5 cm)</b>	<b>1</b>	<b>Pc.</b>
	<b>3245-6302E</b>	<b>Armrest, left size 2 (height: 26-34,5 cm)</b>	<b>1</b>	<b>Pc.</b>
9	3240-6520-015	Armrest base right size 3	1	Pc.
	3240-6510-015	Armrest base left size 3	1	Pc.
10	3240-6361-015	Armrest bracket right size 3	1	Pc.
	3240-6351-015	Armrest bracket left size 3	1	Pc.
11	3240-6512-015	Clamping plate size 2/3	1	Pc.
12	7000-0024	Armrest pads PU 235 mm	2	Pc.
	7000-0047	Armrest pads PU 270mm	2	Pc.
13 (not shown)	1026-0540	Mushroom head square neck bolt zp DIN/ISO 603 M5x40	4	Pc.
14 (not shown)	1055-0005	Washer A5,3 zp DIN/ISO 9021 A5,3	4	Pc.
15 (not shown)	1042-0005	Hexagon nut self-locking zp DIN/ISO 985 M5	4	Pc.

## Spare parts for accessories



Pos	Article number	Article description	Quantity	Unit
<b>1-5</b>	<b>3240-8202</b>	<b>Therapy tray size 2, SW 28</b>	<b>1</b>	<b>Pc.</b>
	<b>3240-8203</b>	<b>Therapy tray size 3, SW 32</b>	<b>1</b>	<b>Pc.</b>
	<b>3240-8204</b>	<b>Therapie tray size 4, SW 36-40</b>	<b>1</b>	<b>Pc.</b>
1	1024-0612	Hexagon socket countersunk head screw zp DIN/ISO 7991 M6x12	4	Pc.
2	3240-8292	Table board SW 24-28	1	Pc.
	3240-8293	Table board SW 30-34	1	Pc.
	3240-8294	Table board SW 36-40	1	Pc.
3	3240-8210E	Clamping unit, left	1	Pc.
4	3240-8220E	Clamping unit, right	1	Pc.
5	1049-0052	T-nut L-769 zp 22x14xM6x8,5	4	Pc.

## Spare parts for accessories



Pos	Article number	Article description	Quantity	Unit
<b>1-11</b>	<b>3240-8210E</b>	<b>Clamping unit, left</b>	<b>1</b>	<b>Pc.</b>
	<b>3240-8220E</b>	<b>Clamping unit, right</b>	<b>1</b>	<b>Pc.</b>
1	1029-0530	Button head socket screw zp DIN/ISO 7380 M5x30	1	Pc.
2	1124-0500	Knurled nut PA black M5	1	Pc.
3	1055-0005	Washer A5,3 zp DIN/ISO 9021 A5,3	2	Pc.
4	3240-8215	Spring guide	1	Pc.
5	1131-0043	Compression spring D-143F, 0,9x9,50x35,00x8,5	1	Pc.
6	3240-8214	Spring housing	1	Pc.
7	3240-8211	Adjusting bracket	1	Pc.
8	3240-8212-015	Terminal strip, left	1	Pc.
	3240-8222-015	Terminal strip, right	1	Pc.
9	1024-0514	Hexagon socket countersunk head screw zp DIN/ISO 7991 M5x14	2	Pc.
10	3240-8217	Bearing bush M5x20.5	1	Pc.
11	3240-8216	Bearing bush M5x18	1	Pc.
12	1113-0003	Washer PA 18x8,4x1 black	1	Pc.
13	3240-8218	Bearing bush M5x5.5	1	Pc.
14	1030-0508	Button head socket screw with flange zp M5x8	1	Pc.
15	1024-0512	Hexagon socket countersunk head screw zp DIN/ISO 7991 M5x12	1	Pc.



**Manufacturer:**

**Hoggi GmbH**

Taunusstrasse 17

D - 56235 Ransbach-Baumbach

Fon: (+49) 26 23 / 92 499-0 · Fax: (+49) 26 23 / 92 499-99

e-mail: [info@hoggi.de](mailto:info@hoggi.de) · Internet: <http://www.hoggi.de>